

# Patents, Designs, and Trade Marks

## SUPPLEMENT

TO THE

# NEW ZEALAND GAZETTE

OF

THURSDAY, SEPTEMBER 17, 1908.

Published by Authority.

WELLINGTON, THURSDAY, SEPTEMBER 17, 1908.

### CONTENTS.

	Page
Complete Specifications and Drawings open to Inspection .. .. .	2481
Patent Publications in New Zealand .. .. .	2482
Books and Documents open to Inspection at Patent Office, Wellington .. .. .	2482
Official Publications .. .. .	2483
New Local Patent Offices appointed .. .. .	2483
Patent Office Agents appointed .. .. .	2483
Local Patent Offices .. .. .	2483
Notice <i>re</i> Holiday .. .. .	2483
Applications for Letters Patent filed .. .. .	2483
Complete Specifications filed after Provisionals .. .. .	2484
Complete Specifications accepted .. .. .	2488
Provisional Specifications accepted .. .. .	2488
Letters Patent sealed .. .. .	2488
Letters Patent on which Fees have been paid .. .. .	2488
Subsequent Proprietor of Letters Patent registered .. .. .	2489
Request for Correction of Clerical Errors in Application for Letters Patent .. .. .	2489
Request to amend Specification allowed .. .. .	2489
Applications for Letters Patent abandoned .. .. .	2489
Applications for Letters Patent void .. .. .	2489
Application for Letters Patent lapsed .. .. .	2489
Letters Patent void .. .. .	2489
Designs expired .. .. .	2489
Applications for Registration of Trade Marks .. .. .	2490
Trade Marks registered .. .. .	2494
Subsequent Proprietor of Trade Marks registered .. .. .	2494
Trade Mark Renewal Fees paid .. .. .	2494
Trade Marks removed from the Register .. .. .	2494
Notice <i>re</i> Advertisements .. .. .	2494

Complete Specifications and Drawings open to Inspection at Auckland, Dunedin, and Christchurch.

COPIES of the complete specifications and drawings advertised in the *Gazette* will be sent for public inspection to the

LOCAL PATENT OFFICES  
IN THE  
SUPREME COURT BUILDINGS

in the following towns on or about the dates mentioned:—

*Auckland.*

*Gazette* No. 72, of the 17th September. 23rd September to 7th October, inclusive.

*Dunedin.*

*Gazette* No. 72, of the 17th September. 13th October to 27th October, inclusive.

*Gazette* No. 69, of the 3rd September. 29th September to 13th October, inclusive.

*Gazette* No. 64, of the 20th August. 15th September to 29th September, inclusive.

*Christchurch.*

*Gazette* No. 72, of the 17th September. 31st October to 24th November, inclusive.

*Gazette* No. 69, of the 3rd September. 17th October to 31st October, inclusive.

*Gazette* No. 64, of the 20th August. 3rd October to 17th October, inclusive.

*Gazette* No. 61, of the 6th August. 19th September to 3rd October, inclusive.

[NOTE.—The office can take no responsibility if from any cause the specifications are not so available.]

## Patent Publications in New Zealand.

THE following publications relating to Patents for inventions, &c., are open to inspection in the Dominion:—

## WELLINGTON.—PATENT OFFICE LIBRARY.

*United Kingdom.*

The full text of the specifications and complete drawings of inventions patented from the year 1617 up to the 28th May, 1908.

Classified abridgments of inventions from 1855 to 1905 and part of 1906.

Illustrated Official Journal, containing lists of recent applications, abridgments of inventions for which patents have been lately granted, patents void, &c., to July, 1908.

Index of Applicants.

Subject-matter Index.

Commissioner of Patents Journal, &c. (\*)

Trade Marks Journal to May, 1908.

*Canada.*

Patent Office Record (containing illustrated abridgments of inventions, &c.) to March, 1908.

*Australia.*

The full text of the specifications and complete drawings in respect of applications accepted from the 11th January, 1906, to the 10th December, 1907, inclusive.

The Official Journal of Patents of the Australian Commonwealth (containing lists of applications for letters patent, abridgments of complete specifications accepted, &c.).

The Australian Official Journal of Trade Marks (containing lists of applications for registration of trade marks, &c.).

Specifications, drawings, abridgments, and indexes of Victoria, New South Wales, Queensland, and South Australia (b).

*United States.*

The full text of the specifications and drawings for the year 1905.

The Official Gazette of the United States Patent Office (containing illustrated abridgments of specifications, &c.) to July, 1908.

*Mexico.*

The Official Gazette of the Patent and Trade Mark Office.

*General.*

La Propriété Industrielle (the official organ of the International Bureau of the Union for the Protection of Industrial Property).

Patent laws of the world.

Patent and Trade Mark Review.

Text-books and handbooks on patents and trade marks.

## AUCKLAND.—PUBLIC LIBRARY.

*United Kingdom.*

Classified abridgments of inventions from 1855 to 1904.

Illustrated Official Journal from 1897 to date.

*Canada.*

Patent Office Record (containing illustrated abridgments of inventions, &c.) from 1897 to date.

*Australia.*

The Official Journal of Patents from 1905 to date.

*United States.*

The Official Gazette of the United States Patent Office (containing illustrated abridgments of specifications, &c.) from 1885 to 1887 and 1890 to 1895.

## CHRISTCHURCH.—PUBLIC LIBRARY.

*United Kingdom.*

Classified abridgments of inventions from 1855 to 1904.

Illustrated Official Journal from October, 1905, to date.

*Canada.*

Patent Office Record (containing illustrated abridgments of inventions, &c.) from 1897 to date.

*Australia.*

The Official Journal of Patents from 1905 to date.

(\*) Discontinued.

(b) In arrears. Not now being printed.

## DUNEDIN.—TOWN HALL.

*United Kingdom.*

Classified abridgments of inventions from 1855 to 1904.  
Illustrated Official Journal from October, 1905, to date.

*Australia.*

The Official Journal of Patents from 1905 to date.

## Books and Documents open to Inspection at Patent Office Wellington.

THE following documents and books are open to public inspection at the Patent Office:—

## PATENTS.

(Fee for each search or inspection, not exceeding one hour, 1s.)

1. The files relating to all applications for letters patent in respect of which complete specifications have been accepted.
2. Classified copies of specifications and drawings, with index and key (a).
3. Register of Applications for Letters Patent.
4. Register of Patents.
5. Register of Subsequent Proprietors of Letters Patent (b).
6. Index of Patentees (c).
7. Index of Proprietors of Letters Patent granted prior to 1890 (d).
8. Index of Specifications (e).

## DESIGNS.

(Search fee, 1s. each quarter of an hour.)

1. Register of Designs, with Index of Names of Proprietors.
2. Classified Representations of Designs in respect of which Copyright has expired.
3. Index of Designs.

## TRADE MARKS.

(Search fee, 1s. each quarter of an hour.)

1. The files relating to all applications for registration of trade marks.
2. Register of Applications for Registration of Trade Marks.
3. Register of Trade Marks.
4. Index of Applicants for Registration of Trade Marks (f).
5. Index of Trade Marks.
6. Classified Representations of Trade Marks, with indexes.

## MISCELLANEOUS.

Register of Patent Agents.

## FORMS AND PUBLICATIONS.

The following forms, &c., may be had on application at the Patent Office, Wellington, or at any of the local Patent Offices named below:—

Application for letters patent.

Provisional specification.

Complete specification and copy thereof.

Application for registration of design.

Application for registration of trade mark.

Applications for extension of time.

Requests by subsequent proprietor to enter name on Register of Patents and Trade Marks.

Printed sheets of information as to fees and procedure to obtain letters patent and to register a trade mark (g).

Pamphlet containing Act and Regulations (price 1s.).

(a) Key is in card index.

(b) This Register contains only names of subsequent proprietors of letters patent granted prior to 1st January, 1890; since that date they appear in Register of Patents.

(c) Includes all names of applicants, &c., and consists of four volumes to 4th November, 1903, and card index since that date. A separate card index is kept for current quarter.

(d) The names of proprietors of subsequent letters patent appear in the Index of Patentees.

(e) Contains classified abridgments of specifications from 1861, with extracts from drawings from July, 1904.

(f) Names of applicants for registration and proprietors of trade marks are indexed at the beginning of the Registers up to 31st December, 1889; in separate volume up to 5th September, 1904; and since the latter date in card index.

(g) May also be obtained at any local Patent Office or money-order office.

## Official Publications.

THE following publications may be obtained from the Government Printer, Wellington:—

Printed specifications to the end of the year 1879.

Annual lists of letters patent and letters of registration applied for, and particulars of applications lapsed, and patents lapsed, from 1880 to 1893 inclusive. (The lists for the last four of these years are contained in the *Annual Reports of the Registrar*.)

Annual reports of the Registrar, containing alphabetical indexes of applicants for letters patent and of subject-matter of inventions patented from 1894 to 1906 inclusive.

The Patents Supplement to *Gazette* (containing notifications, applications for letters patent, abridged descriptions and drawings of inventions, &c.), published fortnightly.

## Local Patent Offices appointed.

Department of Justice,  
Wellington, 16th September, 1908.

HIS Excellency the Governor has been pleased to appoint the offices of the Magistrate's Court at the undermentioned places to be local Patent Offices under "The Patents, Designs, and Trade Marks Act, 1908."

Whangarei.	Masterton.
Waihi.	Gore.
Hamilton.	Clyde.
Taihape.	

J. MCGOWAN.

## Patent Office Agents appointed.

Department of Justice,  
Wellington, 16th September, 1908.

HIS Excellency the Governor has been pleased to appoint

James McIndoe, Waihi;  
Cecil John Hewlett, Palmerston North;  
Michael Foley, Masterton;  
William Jesse Reeve, Whangarei;  
Henry James Dixon, Hamilton;  
George Hutchison Lang, Gore;  
Frederick Thomas Duke Jeffery, Clyde;  
William Baker, Taihape;

to be Patent Office agents at the places set opposite their names.

J. MCGOWAN.

## Local Patent Offices.

LOCAL Patent Offices for the reception of applications, supply of forms, &c., have been established at the following places:—

Auckland—Supreme Court. (E. W. Cave, agent.)  
Whangarei. (W. J. Reeve, agent.)  
Thames—Courthouse. (J. Jordan, agent.)  
Waihi—Courthouse. (J. McIndoe, agent.)  
Hamilton—Courthouse. (H. J. Dixon, agent.)  
Gisborne—Courthouse. (G. J. A. Johnstone, agent.)  
New Plymouth—Courthouse. (J. Terry, agent.)  
Napier—Courthouse. (A. Trimble, agent.)  
Wanganui—Courthouse. (C. A. Barton, agent.)  
Taihape—Courthouse. (W. Baker, agent.)  
Palmerston North—Courthouse. (C. J. Hewlett, agent.)  
Masterton—Courthouse. (M. Foley, agent.)  
Nelson—Courthouse. (E. C. Kelling, agent.)  
Blenheim—Courthouse. (F. W. Hart, agent.)  
Westport—Courthouse. (O. B. Bowling, agent.)  
Greymouth—Courthouse. (B. Harper, agent.)  
Hokitika—Courthouse. (J. N. Nalder, agent.)  
Christchurch—Supreme Court. (W. W. Samson, agent.)  
Ashburton—Courthouse. (J. Fitzgerald, agent.)  
Timaru—Courthouse. (T. W. Taylor, agent.)  
Oamaru—Courthouse. (A. A. Mair, agent.)  
Dunedin—Supreme Court. (T. E. Roberts, agent.)  
Clyde—Courthouse. (F. T. D. Jeffery, agent.)  
Gore—Courthouse. (G. H. Lang, agent.)  
Queenstown—Courthouse. (A. J. Thompson, agent.)  
Invercargill—Courthouse. (J. R. Colyer, agent.)

## Government Offices to be closed on 26th September (Dominion Day).

Prime Minister's Office,  
Wellington, 1st September, 1908.

THE Government offices throughout New Zealand will be closed on Saturday, the 26th instant, being the first anniversary of the date on which the Colony of New Zealand was created a Dominion.

J. G. WARD,  
Prime Minister.

## Applications for Letters Patent filed.

LIST of applications for Letters Patent filed. (Where a complete specification accompanies an application an asterisk is affixed; in all other cases a provisional specification has been lodged. In all cases where the applicant is not the inventor the name of the latter appears in italics after the title.)

- No. 24861.—28th August.—F. C. Brown, Waihi, N.Z.  
Ore-treatment.
- No. 24862.—28th August.—A. I. Carr, Te Karaka, N.Z.  
Fencing-batten.\*
- No. 24863.—1st September.—D. Gibbins, Adelaide, S. Aust.  
Rabbit-trapping device.
- No. 24864.—1st September.—Westinghouse Metal Filament Lamp Company, Limited, London, Eng.  
Electric-lamp filament.\* (*A. Lederer*.)
- No. 24865.—1st September.—Westinghouse Metal Filament Lamp Company, Limited, London, Eng.  
Electric-lamp filament.\* (*A. Lederer*.)
- No. 24866.—1st September.—H. W. Hardinge, Manhattan, U.S.A.  
Ore-disintegrator.\*
- No. 24867.—1st September.—The Zone Dynamo and Motor Patents Company, Limited, London, Eng.  
Dynamo electric machine.\* (*J. W. Burleigh*.)
- No. 24868.—1st September.—M. Ruddy, Sydney, N.S.W.  
Smoking-pipe. (*M. Jeantet*.)
- No. 24869.—1st September.—W. R. Smith, London, Eng.  
Colouring-paper and linen manufacture.
- No. 24870.—1st September.—E. O. Blackwell, Wynyard, Tas.  
Can-opening attachment.
- No. 24871.—1st September.—F. J. Cullen, Napier, N.Z.  
Sheep-shearing machine.
- No. 24872.—3rd September.—E. C. Wood, Christchurch, N.Z.  
Race-starting machine.\*
- No. 24873.—2nd September.—T. D. Smith, Mapieton, Quid.  
Boarding-clamp.
- No. 24874.—2nd September.—F. O. Linstrom, Blenheim, N.Z.  
Digger-plough.
- No. 24875.—2nd September.—J. C. Preston, Sydney, N.S.W.  
Incandescent oil-lamp.\*
- No. 24876.—2nd September.—T. Pennal, Christchurch, N.Z.  
Plough.\*
- No. 24877.—2nd September.—C. F. F. Allan, Sydney, N.S.W.  
Insulated cabinet oven.\*
- No. 24878.—31st August.—H. E. Wilson, Auckland, N.Z.  
Trolley-pole retriever.
- No. 24879.—31st August.—E. Le Roy, Devonport, N.Z.  
Hammock and swing-cot.
- No. 24880.—3rd September.—F. Cotterell, Melbourne, Vic.  
Glass-bevelling machine.\*
- No. 24881.—3rd September.—A. F. Kinney, Rockdale, N.Z.  
Sheep-dipping apparatus.
- No. 24882.—31st August.—C. F. Millward, Wanganui, N.Z.  
Sack-filling device.
- No. 24883.—4th September.—T. W. Rapley, Wellington, N.Z.  
Magnetic separator.
- No. 24884.—3rd September.—F. O. Von Rome and G. Hutchinson, Christchurch, N.Z.  
Cool-storage safe.
- No. 24885.—1st September.—J. H. Hutchinson, Auckland, N.Z.  
Tipping-lorry.
- No. 24886.—4th September.—C. E. Gane, Normanby, N.Z.  
Milking-machine.
- No. 24887.—4th September.—G. E. Humphries, Wellington, N.Z.  
Platform-support.

- No. 24888.—4th September.—T. R. Bond, Wanganui, N.Z.  
Hoe.\*
- No. 24889.—2nd September.—A.G.E.S. Società in accom-  
mandita semplice per l'Esercizio dei  
Brevetti Granieri, Rome, Italy.  
Road-vehicle axle.\* (L. Granieri.)
- No. 24890.—3rd September.—G. M. Crawford, Dunedin,  
N.Z.  
Fixing contact springs to trolley-heads.
- No. 24891.—3rd September.—J. B. Moir, Invercargill, N.Z.  
Washstand.\*
- No. 24892.—3rd September.—T. Belcher and J. Hally, Auck-  
land, N.Z.  
Safety life-guard attachment to tramcar.
- No. 24893.—4th September.—J. F. Lopdell, Invercargill,  
N.Z.  
Fireplace-rack.
- No. 24894.—5th September.—J. H. Tink, Mordialloc, Vic.  
Wire-strainer.
- No. 24895.—7th September.—G. R. Rowe and W. Stenhouse,  
Wellington, N.Z.  
Electro-surgical appliance.
- No. 24896.—5th September.—D. Cousins, Auckland, N.Z.  
Quartz-grinding apparatus.
- No. 24897.—8th September.—W. R. Lyttleton, Rakaia, N.Z.  
Music-leaf turner.
- No. 24898.—8th September.—J. Williams, Napier, N.Z.  
Delivering mail-bags, &c., to moving train.
- No. 24899.—9th September.—O. L. Eugster, London, Eng.  
Porcelain-lined siphon-heads.\*  
(Date applied for under section 106 of the  
Act, 6th November, 1907.)
- No. 24900.—9th September.—A. J. Arbuckle and A. Osborne,  
Johannesburg, Trans.  
Separating comminuted ores from liquids.\*
- No. 24901.—9th September.—F. H. Trevellian, Wellington,  
N.Z.  
Cash-register.\*
- No. 24902.—9th September.—E. H. Trotman, Mylor,  
S. Aust.  
Manufacture of fertiliser from waste pro-  
ducts.
- No. 24903.—10th September.—J. Syvret, Sydney, N.S.W.  
Closet, &c.
- No. 24904.—10th September.—T. Ballinger and Co., Limited,  
Wellington, N.Z.  
Cinder-sifter.\* (T. Ballinger.)
- No. 24905.—10th September.—Westinghouse Metal Filament  
Lamp Company, Limited, London, Eng.  
Electric-lamp filament.\* (A. Lederer.)
- No. 24906.—10th September.—J. T. Hunter, Wellington,  
N.Z.  
Typographical composing-machine.\* (Lino-  
type and Machinery, Limited—H. Pearce  
and J. E. Billington.)
- No. 24907.—10th September.—A. A. Stephenson, Wellington,  
N.Z.  
Air-gas generator.
- No. 24908.—9th September.—F. Walton, London, Eng.  
Road-vehicle suspension arrangement.\*
- No. 24909.—9th September.—F. M. Allan, Dunedin, N.Z.  
Rotary cement-kiln.
- No. 24910.—9th September.—D. Taylor, Dunedin, N.Z.  
File.
- No. 24911.—9th September.—W. Carr, Dunedin, N.Z.  
Pontoon.
- No. 24912.—8th September.—C. Kendrick, Tariki, N.Z.  
Milk cooler, aerator, and strainer.\*
- No. 24913.—10th September.—C. B. Smith, Dunedin, N.Z.  
Rotary sales-book-printing machine.\*
- No. 24914.—12th September.—W. Campbell and T. Iwikau,  
Marton, N.Z.  
Cow-bail.\*
- No. 24915.—12th September.—T. Barton, Hamilton, N.Z.  
Easy-chair.
- No. 24916.—12th September.—G. Hyde, Masterton, N.Z.  
Holder for telephone list.
- No. 24917.—14th September.—G. H. Jenkinson, Wellington,  
N.Z., and H. A. Ward, Lower Hutt, N.Z.  
Milk, &c., cooler.
- No. 24918.—14th September.—A. Lyell, Wellington, N.Z.  
Pudding-mould.
- No. 24919.—14th September.—W. J. McElroy, Glorit, N.Z.  
Scrub-cutter.
- No. 24920.—14th September.—F. Castle, Auckland, N.Z.  
Gardening-trowel.
- No. 24921.—14th September.—R. B. Williams, Winton, N.Z.  
Mop-wringer.
- No. 24922.—15th September.—The Friese-Greene Patents,  
Limited, London, Eng.  
Cinematographic apparatus.\* (W. Friese-  
Greene.)

## Complete Specifications filed after Provisionals.

LIST of complete specifications filed after provisional specifications, from the 1st to the 14th September, 1908, inclusive:—

- No. 23793.—F. Tonks, chimney.  
No. 23800.—H. M. Levinge, altazimuth instrument.  
No. 23805.—J. McHalick, road-making implement.  
No. 23822.—H. Spear, spectacles.  
No. 23851.—H. R. Radford, egg carrier.  
No. 24242.—W. P. Rough, air-carburetter.  
No. 24595.—J. Snodgrass, cyanide-manufacture.  
No. 24777.—F. Basham, roadway.

## Notice of Acceptance of Complete Specifications.

Patent Office,  
Wellington, 16th September, 1908.

COMPLETE specifications relating to the undermen-  
tioned applications for Letters Patent have been  
accepted, and are open to public inspection at this office.  
Any person may, at any time within two months from the  
date of this *Gazette*, give me notice in writing of opposition  
to the grant of any such patent. Such notice must set forth  
the particular grounds of objection, and be in duplicate. A  
fee of 10s. is payable thereon.

No. 23497.—18th September, 1907.—JOHN CRASTON  
ATKINSON, of 240 Karangahape Road, Auckland, New Zea-  
land, Watchmaker. A combined hat, book, and umbrella  
clip, a chair or form fixture for churches and public halls.\*

*Claims.*—(1.) An appliance to fix on a chair, or form, or  
other seat to hold a hat or book. The object is attained by  
means of a strip of metal, either quite straight or curved at  
the top, to which is attached a spring clip, this strip of  
metal with clip to be screwed or otherwise secured on to the  
seat. (2.) An appliance to hold an umbrella (two methods),  
first, by another spring clip fixed on to a cross-piece of metal  
that is attached on to the first-mentioned strip that holds  
the hat or book; and, second, for those who may prefer it, a  
chain and hook attached to the cross-piece, instead of the  
spring clip, there being a small hole or ring to take the hooks.  
With either of these methods there is a screw socket (two or  
more kinds, according to necessity), one to screw into the  
bottom of the seat-leg, and the other to be screwed on to the  
seat-leg, where it cannot be screwed in, some seat-legs being  
made of metal. This socket is to hold the tip of the umbrella  
or stick so that they will be kept upright. (3.) An appliance  
to hold a bag or other article—namely, a hook—to be fixed on  
the cross-piece "B" on the opposite end to the umbrella  
clip or chain, or on the bottom of the upright "A" should  
there be no cross-piece.

(Specification, 2s.; drawing, 1s.)

No. 23667.—31st October, 1907.—PETER ROGER HUGHES,  
of Waterloo Street, Geelong, Victoria, Australia, Storeman.  
Apparatus for hoisting and stacking bales of wool and other  
packages of merchandise.\*

*Claims.*—(1.) Apparatus for stacking or hoisting bales  
wool and the like, comprising a vertical frame, a platform  
vertically slidable thereon, means to elevate said platform,  
and automatic means for tilting same when raised to a pre-  
determined height, for the purposes specified. (2.) In an  
apparatus for stacking or hoisting bales of wool and the like,  
a vertical frame, a pair of brackets connected together and  
adapted to slide upon the face thereof, pairs of guide rollers  
on each bracket engaging opposite faces of said frame, an  
operative wire rope connected to said brackets and passing  
over a pulley on the upper end of said frame, and a platform  
supported upon said brackets, substantially as set forth.

[NOTE.—Here follow three other claims.]

(Specification, 4s. 6d.; drawing, 1s.)

No. 23714.—14th November, 1907.—UNITED SHOE  
MACHINERY COMPANY, of Paterson, New Jersey, United  
States of America, a corporation duly organized under the  
laws of the State of New Jersey, carrying on business as  
Shoe Machinery Manufacturers, and having a place of  
business at 205 Lincoln Street, Boston, Commonwealth of  
Massachusetts, United States of America (assignees of Jacob  
Rupert Scott, of Boston, County of Suffolk, Commonwealth of  
Massachusetts aforesaid, Mechanical Engineer). Improve-  
ments in or relating to abrading devices.\*

*Claim.*—A movable device for sustaining in working posi-  
tion a cover of abrading material, having in combination a  
plurality of longitudinal sections arranged to receive the ends

of the cover between them, and means for holding said ends frictionally from outward movement by engagement with opposite sides of each end of the cover.

[NOTE.—Here follow seven other claims.]

(Specification, 10s.; drawing, 1s.)

No. 23716.—14th November, 1907.—UNITED SHOE MACHINERY COMPANY, of Paterson, New Jersey, United States of America, a corporation duly organized under the laws of the State of New Jersey, carrying on business as Shoe Machinery Manufacturers, and having a place of business at 205 Lincoln Street, Boston, Commonwealth of Massachusetts, United States of America (assignees of John Pennell Pride, of Leicester, England, Commercial Traveller). Improvements in jacks for shoe machines.\*

*Claims.*—(1.) A machine for operating upon boots having in combination a boot-supporting jack, including an expandible last, means for operating on a boot supported on the jack, and means acting automatically to expand the last prior to the action of said operating means on the boot. (2.) A machine for operating upon boots having in combination a boot-supporting jack, including an expandible last, means for operating on a boot supported on the jack, and mechanically operated means acting automatically to contract the last after the action of said operating means on the boot, with or without power-operated means (such as spring 26) for extending the last.

[NOTE.—Here follow four other claims.]

(Specification, 11s.; drawing, 2s.)

No. 23768.—27th November, 1907.—GEORGE CHARLES MUNNS, of Auckland, New Zealand, Ironmonger. An improved water-sprayer for lawns, gardens, and the like.\*

*Claim.*—The combination with a water-sprayer of the classes referred to of a saucer or like-shaped dish that is secured beneath the sprayer in such a manner that its sides extend upwards around it, substantially as and for the purposes specified.

(Specification, 1s. 6d.; drawing, 1s.)

No. 24353.—5th May, 1908.—EDA NESBITT, of Swan Hill, Victoria, Australia, wife of John Nesbitt, Farmer. Improvements in gentlemen's braces.\*

*Claim.*—The improvements in gentlemen's braces, comprising in combination the two wire springs, and the mode of connecting and threading them with the four leather straps, which render the whole elastic, substantially as described.

(Specification, 1s. 6d.; drawing, 1s.)

No. 24354.—5th May, 1908.—EDA NESBITT, of Swan Hill, Victoria, Australia, Wife of John Nesbitt, Farmer. Combined spring shoulder-strap, skirt-holder, bodice-retainer, and spring stocking-supporter.\*

*Claim.*—A combined spring shoulder-strap, skirt-holder, bodice-retainer, and spring stocking-supporter, comprising in combination the construction of the straps, forming two arm-holes, thence crossing midway between the shoulders and the waist line, and extending to the waist line at the back, where they are fastened with buttons or studs to a waist strap, and the two suspenders which hang from the front of the waist strap are rendered elastic by each being fastened to and threaded through the eyelet-holes of a wire spring, as also are the shoulder-straps, which are joined between the shoulders by being fastened to and threaded through two wire springs, which renders them elastic, substantially as described.

Specification, 4s. 6d.; drawing, 1s.

No. 24375.—11th May, 1908.—RICHARD MIDDLETON SIMPSON, of Willis Street, Wellington, New Zealand, Insurance Manager. Improved apparatus for separating metals and the like from extraneous matter.\*

*Claim.*—Apparatus for separating materials, comprising a circular rotating table provided with channels radiating from the centre to the rim of the table, and a trough around the rim of the table into which water from the channels flows and is directed to the surface of the table, substantially as set forth.

[NOTE.—Here follow six other claims.]

(Specification, 6s.; drawing, 2s.)

No. 24706.—23rd July, 1908.—CHARLES ARTHUR MACDONALD, of 63 Pitt Street, Sydney, New South Wales, Australia, Refrigerating Engineer (assignee of Thomas Douglas Kyle, of Pine Street, Sydney, aforesaid). An improved process for the manufacture of butter, and apparatus therefor.

*Claims.*—(1.) In the manufacture of butter, the process of compressing and cooling air, purifying said air by passing it through animal charcoal, and elevating, aerating, purifying, and cooling cream by said compressed air, substantially as and for the purpose set forth. (2.) In the manufacture of butter, the process of compressing and cooling air, purifying said air by passing it through animal charcoal and a strong solution of sodium chloride, and elevating, aerating, purifying, and cooling cream by said compressed air, substantially as and for the purpose set forth. (3.) In the manufacture of butter, the process of washing butter in the churn by water from which deleterious and dangerous germs have been abstracted by animal charcoal, substantially as and for the purpose set forth. (4.) In the manufacture of butter, in combination, the air-compressor *a*, refrigerator *c*, animal-charcoal filters *d* and *e*, ejector *g*, cream-receiver *i*, well *h*, pipe *j*, cream-tank *m*, and churn *n*, substantially as described and shown on the drawing, and for the purpose set forth. (5.) In the manufacture of butter, in combination, the animal-charcoal filters *r*, pipe *s*, cock *t*, and churn *n*, substantially as and for the purpose set forth. (6.) The process as a whole, substantially as described and shown on the drawing, and for the purpose set forth.

(Specification, 5s. 6d.; drawing, 1s.)

No. 24718.—20th July, 1908.—THOR MATISON BRECK, of Dunedin, New Zealand, Miner. A gold-saving apparatus.

*Claims.*—(1.) A device for saving gold in combination with a series of hooked-shaped in-leading shoots, V-shaped distributors, a spirally grooved roller mounted in a mercury trough, substantially as set forth, and as illustrated. (2.) In a gold-saving apparatus, the combination and arrangement of parts all as and for the purpose described, and as illustrated in the drawings.

(Specification, 3s. 9d.; drawing, 2s.)

No. 24722.—22nd July, 1908.—JAMES ALBERT WHITMAN, of 1161 Broadway, New York, United States of America, Mechanical Engineer (assignee of Eugene Earl Norton, of 423 Water Street, Bridgeport, Fairfield, Connecticut, United States of America, Mechanical Engineer.) Improvements in and relating to a clutch.

*Extract from Specification.*—This invention relates to a clutch, with the distinguishing feature of the coaction of two pairs of engaging or clutch members, designated as main and secondary engaging members. The secondary members allow the quick and easy disengagement of the main engaging members while they are turning. The secondary members turn together by reason of the inclined faces of the teeth of one member bearing against the inclined faces of the teeth of the accompanying member, and then when they are to be disengaged the driven member is held fast, and the teeth of the other member will slide or creep out of engagement with the teeth of said driven member.

[NOTE.—The above extract from the specification is inserted in place of the claims.]

(Specification, 5s. 6d.; drawing, 3s.)

No. 24723.—22nd July, 1908.—JAMES ALBERT WHITMAN, of 1161 Broadway, New York, United States of America, Mechanical Engineer (assignee of Eugene Earl Norton, of 423 Water Street, Bridgeport, Fairfield, Connecticut, United States of America, Mechanical Engineer). Means for the continuous alternating operation of two talking-machines.

*Extract from Specification.*—The invention comprises a pair of talking-machines having a magnet interposed between the motor of each machine and the shaft carrying the record. A metallic pin is connected with the sound-box of each machine, which at a predetermined point, as at one end of the travel or stroke of the sound-box, closes an electric circuit of the magnet of the other machine, thereby starting the second machine instantly after the first has finished its stroke or travel. Electric means are also provided to stop either one of the machines immediately after the other has started.

[NOTE.—The above extract from the specification is inserted in place of the claims.]

(Specification, 7s.; drawing, 3s.)

No. 24728.—28th August, 1908.—ROSE ANDREWS, of "Orton," Mercer, Auckland, New Zealand, Spinster. Improved adjustable scrub-tucker and combined skeith and depth-wheel attachments to plough.

*Claims.*—(1.) In combination with a plough and fitted to draught-bar thereof, the adjustable scrub-tucker bar and the combined skeith and depth-wheel specified, and the fin fixed to the plough-share, in the manner and for the purpose set forth, as described and illustrated. (2.) In the improved adjustable scrub-tucker and combined skeith and depth-wheel attachment to plough covered by claim 1, the adjustable scrub-tucker specified, for the purpose set forth, as described and illustrated. (3.) In the improved adjustable scrub-tucker and combined skeith and depth-wheel specified, for the purpose set forth, as described and illustrated.

(Specification, 3s. 6d. ; drawing, 1s.)

No. 24732.—28th July, 1908.—ALFRED JAMES, of 2 Broad Street Place, London, England, Mining and Metallurgical Engineer (assignee of Walter Neal, of Las Dos Estrellas Mine, Estado de Michoacan, Mexico, Metallurgist). Improvements in tube or ball mills.

*Claims.*—(1.) The application to the inside of the entrance or discharge opening of a tube or ball mill of an annular, quadrangular, polygonal arc or screw-shaped continuous, broken, or overlapping guard, deflector, or barrier, substantially as and for the purpose specified. (2.) The application to the inside of the entrance or discharge openings of tube or ball mills of an annular deflector, guard, or barrier, with an inner surface of increasing diameter from the outside to the inside of the mill, and an outer surface situated within the mill of increasing diameter in the opposite direction, substantially as and for the purpose specified. (3.) The application to the entrance or discharge openings of tube or ball mills for admitting or discharging the material under treatment of a screw-casing containing a conveyor or Archimedes screw, and revolving with said mill, substantially as and for the purpose specified. (4.) The application of the combined deflector, guard, or barrier, and conveyor or Archimedes screw set forth in the preceding claims to the openings of tube or ball mills, substantially as and for the purpose specified.

(Specification, 7s. 6d. ; drawing, 1s.)

No. 24739.—30th July, 1908.—HARVEY NELSON BINGHAM, of McTaggart, Saskatchewan, Canada, Farmer. Improvements in mowing-machine tedders.

*Claims.*—(1.) In a mowing-machine tedder, in combination with the mower frame and row of knives in a frame projecting therefrom, a rotating rake supported from said frame angularly in relation to said row of knives and therebehind. (2.) In a machine of the class described in claim 1, a plurality of discs fixedly mounted on a rotating shaft and toothed bars rotatively secured at the edges of said discs and having teeth rigidly secured thereto and projecting laterally therefrom and double off-sets at each end thereof beyond said discs, rollers journaled at the extremities of the bars, an arm projecting rearwardly from the frame of the machine and angularly off-set, a cam rigidly secured in proximity to the end discs having concave and convex surfaces, said convex surfaces following the course of rotation of said frame forming the rake and engaged by said rollers and retaining said teeth in a rigid position, said teeth being released from said rigid position on the rollers leaving said convex surface.

[NOTE.—Here follow three other claims.]

(Specification, 7s. ; drawing, 2s.)

No. 24751.—31st July, 1908.—ALFRED VALENTINE COLDWELL, of Inglewood, New Zealand, Sheep-farmer. Improved means for use in coiling and uncoiling barbed or plain fencing-wire.

*Claims.*—(1.) The improved appliances for use in coiling or uncoiling wire, the same comprising the combination with a vertical spiked bar, formed with a flange near its bottom end, of a support consisting of a collar adapted to be secured upon the bar and legs pivoted at their upper ends to such collar, the lower ends of which are spiked, and a handle adapted to rotate upon the bar, substantially as specified, and as illustrated in Fig. 1 of the drawings. (2.) The improved appliances for use in coiling or uncoiling wire, the same consisting in the combination with a vertical spiked bar, formed with a flange near its bottom end, of a plate adapted to fit upon such bar and provided with

downwardly projecting spikes on its under-side, and a board fitting centrally upon the bar above the plate and adapted to rotate thereon, provided with upwardly projecting pins arranged at intervals in its surface and capable of adjustment in distance from the centre, substantially as described, and as illustrated in Figs. 2 and 3 of the drawings.

(Specification, 4s. ; drawing, 1s.)

No. 24752.—31st July, 1908.—AUBREY FIELD BILLING, of 66 City Chambers, Auckland, New Zealand, Agent. An improved skirt-cutting chart.

*Claims.*—(1.) A chart of the class described, characterized by a "front," a "side," and a "back," a curved upper edge for waist measurements, a curved lower edge for hip measurements, end edges and divisional lines for setting out vertical seams, and radial lines for obtaining patterns of gores for skirts to be made with different numbers of gores, substantially as set forth. (2.) A chart of the class described, constructed, and arranged, substantially as and for the purposes set forth, and as illustrated on the drawing.

(Specification, 4s. 6d. ; drawing, 1s.)

No. 24754.—31st July, 1908.—MATTHEW GUINAN, of Kelso, New Zealand, Farrier. Improved method of and apparatus for administering medicated balls to horses.

*Claims.*—(1.) The method of administering medicated balls to horses, which consists in forming a hole in one end of the ball, fitting the end of a stick into the hole with an easy fit, passing the stick with the ball on the end thereof into the mouth of the horse, dropping the ball from the stick, and withdrawing the stick, substantially as described. (2.) Apparatus for administering medicated balls to horses, consisting of the combination with a soluble casing containing the desired ingredients, and having a hole in one end thereof, of a stick having its end shaped to fit into the hole with an easy fit, substantially as described. (3.) A medicated ball for horses having a hole in one end, substantially as and for the purpose set forth. (4.) The combination with a medicated ball for horses, having a hole in one end, of a removable plug adapted to fit the hole, substantially as and for the purpose set forth. (5.) In the administering of medicated balls to horses, the use of a stick having a flexible shaft, substantially as described.

(Specification, 3s. ; drawing, 1s.)

No. 24765.—6th August, 1908.—FRANCIS HURSTHOUSE, of 23 Buxton Street, London Road, Manchester, Lancaster, England, Fitter. Improvements in extinguishing devices for paraffin and similar lamps.

*Extract from Specification.*—My invention consists in providing an extinguishing device the main operating parts of which are preferably located in the interior of the oil vessel or chamber, though they may be arranged outside such, the only external part generally being that which comes in direct contact with the upper end of the wick-tube or wick, an essential feature of such device being the provision of improved means to obtain a greater lift of the extinguishing device proper with the minimum of movement of the lamp-body when tilted or jerked and in the smallest possible space for effective operation.

[NOTE.—The above extract from the specification is inserted in place of the claims.]

(Specification, 6s. 6d. ; drawing, 2s.)

No. 24767.—7th August, 1908.—PEDRO ZERBINO, of 745 Calle Tucuman, Buenos Aires, Argentine Republic, South America, Carpenter. Sliding-gate with automatic locking device.

*Claim.*—A sliding-gate with automatic closing device, an essential feature of which is that once being opened it will remain so the necessary time for allowing the passage of any vehicle, the gate consisting substantially of a horizontal door, suspended by means of wheels from a horizontal rail-beam, which latter, by being centred on a guide-framing, is adapted to be inclined in one or other direction, thereby causing the door to obey gravity and advance or recede, said rail being adapted to be operated upon from either side of the gate by means of levers and reins which, by lifting the same at its fore end, cause it to incline and open the gate, said inclination being maintained by a bar actuating vertically against a fixed tooth provided at the rear end of the rail or beam, said bar being automatically

withdrawn by means of a plunger projected by the impact of a ball moving along in a sinuous and in straight channels, substantially as described with reference to the drawings, and for the purpose set forth.

[NOTE.—Here follows one other claim.]

(Specification, 6s. ; drawing, 2s.)

No. 24792.—13th August, 1908.—JOSEPH THOMAS WALLIS, of 63 Shepherd Street, Sydney, New South Wales, Australia, Veterinary Surgeon. Improvements in horse crushes or holders.

*Claims.*—(1.) Improvements in horse crushes or holders, consisting of the combination with uprights such as 5, having arches such as 9, of longitudinal bearers one of which carries breast and rear bearers such as 13, 14, provided with rollers such as 16 and 23 respectively, said bearers 13 and 14 being capable of adjustment longitudinally, the rear bearer being actuated by a crank-handle, substantially as described and illustrated. (2.) The combination with the horse crush or holder, as in claim 1, of a sling such as 40, one end thereof being secured to a longitudinal bearer and the opposite end to a barrel such as 41, capable of rotation by means of a suitable handle, substantially as described and illustrated. (3.) In a horse crush or holder such as described, a rear bearer provided with rollers such as 23, bracket such as 26, rod such as 30, length-adjuster such as 31, screws such as 32 and 33, and operating-handle such as 34, substantially as described and illustrated. (4.) The combination and arrangement of parts forming the improvements in horse crushes or holders, all as described and explained, and as illustrated in the drawings.

(Specification, 3s. ; drawing, 2s.)

No. 24795.—13th August, 1908.—GUY ROBERT ANDREW, of "Illawarra," Malvern Avenue, Chatswood, near Sydney, New South Wales, Australia, Mining Expert. Improvements in dress-cutting charts.

*Claims.*—(1.) In a chart or templet for drafting the front-body pattern for a dress, wherein the external shape corresponds generally with the shape of pattern required, the edges being curves for drawing lines to connect certain leading points, a series of perforations and edge-marks A, B, C, D, E, and F for fixing said leading points, said perforations and marks being numbered according to bust-measurement only and (except A, B) connected by curved lines so that the series can be followed throughout, edge-marks G and H to correspond with under-arm length, and dart-point indicators numbered to correspond with figures shown in a table whose index is the difference between the bust and waist measurements, substantially as described. (2.) In a chart or templet for drafting the back-body pattern for a dress, wherein the external shape corresponds generally with the shape of pattern required, the edges being curves for drawing lines to connect certain leading points, a series of perforations and edge-marks B<sup>1</sup>, C<sup>1</sup>, D<sup>1</sup>, E<sup>1</sup>, and F<sup>1</sup> for fixing said leading points, said perforations and marks being numbered according to bust-measurement and connected by curved lines so that the series can be readily followed throughout, and edge-marks G<sup>1</sup>, H<sup>1</sup>, and I numbered to correspond with under-arm length, substantially as described.

[NOTE.—Here follow six other claims.]

(Specification, 12s. 6d. ; drawing, 1s.)

No. 24796.—13th August, 1908.—WILLIAM HENRY BLACKHAM, of 59-61 King Street, Melbourne, Victoria, Australia, Merchant. Improvements in cow-milking apparatus for providing vacuum and alternate vacuum and air.

*Extract from Specification.*—This invention provides a valve-box having two chambers, a compressed-air chamber and a vacuum chamber, with each of which directly communicates their respective constituent elements—to wit, vacuum and compressed air. Between the two chambers is a vacuum communication or outlet-valve, the compressed-air chamber having also an air-escape valve. At the correct moment (which varies) after the maximum compression occurs, or even when it is taking place, the air-escape valve of the valve-box compressed-air chamber is opened, allowing the pressure by the ensuing escapement to be reduced to that of the atmosphere. Following this subjugation the vacuum communication or outlet-valve is opened, and the two chambers being then in mutual intercourse the atmospheric pressure is reduced to a vacuum because of the ensuing escapement into the valve-box vacuum chamber. The receding

piston may now complete a further degree of vacuum. The vacuum chamber is connected with a vacuum reservoir kept exhausted by suction from a double-acting pump, which also generates and forces the compressed air into the valve-box compressed-air chamber and alternate vacuum and compressed-air pipe-line. Consequently this invention comprehends as an instrumentality a double-chambered simple and effective combination vacuum and compressed-air valve-box and its accessories, whereby compressed air may be allowed to escape from the vacuum and compressed-air pipe-line, and the suction from a cylinder and a vacuum be communicated to the said pipe-line in the order desired. With this invention the alternate vacuum around the teat-cups is more sudden and perceptible, in addition to which, on account of the compactness and the susceptible arrangement of parts, the waste of compressed air and vacuum in lengths of superfluous pipe is saved. Further, an economy of power is effected in the double-acting pump forming or generating the compressed air and vacuum, and the teat of the cow has a greater opportunity for refilling.

[NOTE.—The above extract from the specification is inserted in place of the claims.]

(Specification, 10s. 6d. ; drawing, 1s.)

No. 24799.—12th August, 1908.—CHARLES JOHN SLOMAN, of Christchurch, New Zealand, Brewer. An improved breeching and kicking strap.

*Claim.*—The attachment for vehicle shafts, consisting of breeching-hooks, breeching-strap, and suspender-strap in combination, substantially as and for the purposes described, and as shown in drawings.

(Specification, 1s. ; drawing, 1s.)

No. 24802.—15th August, 1908.—WILLIAM HOULKER, of Nelson, New Zealand, Manufacturer. Improvements in or relating to casks and the like.

*Claims.*—(1.) In the manufacture of casks and the like, a ring of metal contractible and expandable in diameter, and of tapered thickness transversely across its width placed between the cask and each encircling hoop, substantially as and for the purpose specified. (2.) In the manufacture of casks and the like, a ring composed of a strip of metal bent longitudinally into sinuous, or crimped, or zig-zag form, of tapered thickness transversely across the width of the ring, placed between the cask and each encircling hoop, substantially as specified.

(Specification, 2s. 9d. ; drawing, 1s.)

No. 24805.—12th August, 1908.—HENRY BEANEY, of Arch Hill, Auckland, New Zealand, Engineer. An improved friction hoist.

*Claims.*—(1.) The improved friction hoist specified, consisting in combination of hoisting drum and large friction-wheel mounted on shaft with eccentric ends, said shaft being mounted in bearings and fitted with lever or handle, said large friction-wheel working into or on to a smaller friction-wheel which is fitted to other shaft mounted in bearings, the whole being mounted on or forming part of a frame which also carries a brake block and shaft, for the purpose and in the manner as described and illustrated. (2.) In the improved friction hoist specified covered by claim 1, the fitting the shaft carrying large friction wheel with eccentric ends, and fitting lever or handle to one of said eccentrically mounted ends, for the purpose set forth, as described and illustrated.

(Specification, 3s. ; drawing, 1s.)

No. 24807.—17th August, 1908.—JAMES UPCHURCH, of Wellington, New Zealand. An improved carpenters' bench-stop.

*Claims.*—(1.) A carpenters' bench-stop, comprised by a length of iron passing vertically through an aperture in the bench and formed with teeth or notches along its back edge, in combination with a catch lever pivoted against the under-surface of the bench, and having an end adapted to engage with any one of the teeth or depressions upon the stop, substantially as specified. (2.) The improved carpenters' bench-stop constructed, arranged, and operated substantially as herein described and explained, and as illustrated in the drawings.

(Specification, 2s. 6d. ; drawing, 1s.)



No. 24812.—17th August, 1908.—EDWARD ROBERTS, of Dunedin, New Zealand, Consulting Mechanical Engineer. Improvements in flexible-jointed spoil-pipes.

*Claims.*—(1.) In pipes designed for conveying wearing materials with fluids, and where a movement is desired between said pipes, the combination of removable bottom segments and wearing plates with flexible diaphragms connecting the small ends of said pipes with the large ends of the next, while arranged to allow of said movement between the said pipes, all substantially as described, and as explained, and as illustrated in the drawing. (2.) In spoil-pipes, and in combination with same, removable wearing portions of said pipes and wearing plates, arranged to be bolted and packed watertight, all substantially as set forth, and as shown on the drawing. (3.) In pipes not rigidly secured together, and in combination with same, flexible diaphragms secured to the smaller delivery ends and also to the enlarged receiving ends of the next pipes, so as to make a watertight connection between the said pipes while allowing for any movement between them, and so formed that the passing material does not tend to wear the flexible portions, all substantially as set forth. (4.) A diaphragm placed at about right-angles to the flow of the material passed through pipes, connecting their ends watertight, all substantially as set forth, and as shown on the drawing.

(Specification, 3s.; drawing, 1s.)

No. 24824.—20th August, 1908.—CHARLES HEWSON, of Orari, New Zealand, Farmer. An improved joint for railway rails.

*Claims.*—(1.) A joint for rails comprised by a socket-piece shaped to enclose the bottom and the two sides of the adjacent rail-ends, and formed with its bottom inclining to one end, in combination with a wedge adapted to be driven into a space between the rail-bottoms and the inclined bottom of the socket, substantially as specified. (2.) In a joint for rails constructed as described in claim 1, means for locking the wedge in position, consisting of bolts extending along the outside of the socket and passing through lugs formed respectively upon the wedge and the socket, substantially as specified. (3.) In a joint for rails constructed as described in claim 1, forming the socket with its sides and bottom separably attached to each other, substantially as specified. (4.) The improved joint for rails, constructed and operating substantially as described and explained, and as illustrated in the drawings.

(Specification, 3s.; drawing, 1s.)

No. 24836.—25th August, 1908.—GEORGE WILKINSON HUNTON, of Christchurch, New Zealand, Bootmaker. Improvements in boots and shoes.

*Claims.*—(1.) In boots and shoes, an instep-piece removably secured across the adjacent forward edges of the sides of the boot or shoe, substantially as specified. (2.) In boots and shoes, an instep-piece extending across between the adjacent forward edges of the sides of the boot or shoe and secured to the respective edges by lacing, buttons, or other removable fastenings, substantially as specified.

Specification, 2s. 9d.; drawing, 1s.)

No. 24851.—28th August, 1908.—JOHN EDWIN HEYS, of Christchurch, New Zealand, Inventor. An improved egg-carrier.

*Claims.*—(1.) In egg-carriers of the class described, egg-holders constituted by a number of rows of wire loops arranged in pairs in parallel lines along or across the battens of the crate, with the loops of each pair of rows arranged opposite to and facing each other, each of such loops being formed by bending the wire vertically into loop form and giving the loop a twist through a half-circle, substantially as specified. (2.) The improved egg-carrier constructed and arranged substantially as described and explained, and as illustrated in the drawings.

(Specification, 3s.; drawing, 1s.)

No. 24855.—29th August, 1908.—WILLIAM GEORGE WALDEN, Draper, and WALTER WILLIAM WRIGHT, Warehouseman, both of Christchurch, New Zealand. An improvement in men's under-pants.

*Claims.*—(1.) In men's under-pants, slot-openings formed in positions corresponding to the positions of the trouser-

pockets, and each adapted to have the corresponding pocket-lining passed in through it, substantially as and for the purposes specified. (2.) The improvement in men's under-pants, substantially as and for the purposes described and explained, and as illustrated in the drawings.

(Specification, 2s.; drawing, 1s.)

An asterisk (\*) denotes the complete specification of an invention for which a provisional specification has been already lodged.

**NOTE.**—The cost of copying the specification and drawing has been inserted after the notice of each application. An order for a copy or copies should be accompanied by a post-office order or postal note for the cost of copying.

The date of acceptance of each application is given after the number.

Extracts from the drawings accompanying the foregoing complete specifications appear at the end of this *Gazette*.

J. C. LEWIS,  
Registrar.

#### Provisional Specifications accepted.

Patent Office,  
Wellington, 2nd September, 1908.

**A** PPLICATIONS for Letters Patent, with provisional specifications, have been accepted as under:—

- No. 24166.—J. Mitchell, walling, &c.  
No. 24677.—T. Ritchie and C. S. Bone, Acetylene-generator.  
No. 24773.—G. Forsyth, toaster and grill.  
No. 24778.—J. Fitchett, tipping-lorry.  
No. 24800.—G. D. Murchie and M. Badger, letter-posting machine.  
No. 24811.—F. Armstrong, metallic alloy.  
No. 24815.—W. H. G. Geake, tennis-shirt.\*  
No. 24821.—W. H. McGeever, staff working of railways, &c.  
No. 24829.—J. Runciman, pivot harrow.  
No. 24830.—W. Scott, folding-table.  
No. 24831.—L. Hayes, railway snow-scoop.  
No. 24839.—E. Downey, umbrella-holder for vehicles.  
No. 24847.—F. A. Alcock, billiard-table cushion.

\* [NOTE.—This application is regazetted on account of the name of the applicant being previously misspelt.]

[NOTE.—Provisional specifications cannot be inspected, or their contents made known by this office in any way, until the complete specifications in connection therewith have been accepted.]

#### Letters Patent sealed.

**L**IST of Letters Patent sealed from the 28th August to the 11th September, 1908, inclusive:—

- No. 22864.—F. C. Brown, tube-mill, &c., lining.  
No. 22899.—M. P. Coffey, drawing off liquids.  
No. 22902.—G. E. Smith, overshoe, &c.  
No. 22914.—J. B. MacEwan and Company, Limited, cream-vat and cooling-device. (T. Humble.)  
No. 22954.—E. J. Keogh, carpet-cleaner. (F. J. Corbett.)  
No. 22991.—A. Hare, operating gas-valve.  
No. 23046.—J. Atkinson, spinal and body support.  
No. 23092.—J. Cornwell, concrete post.  
No. 23192.—J. A. Hutmacher, water-gas generator.  
No. 23372.—H. Trinder and F. Engeler, concentrating-table.  
No. 23422.—J. E. Crowle, lifting-jack.  
No. 23576.—E. C. Kilgour, acetylene-generator.  
No. 23614.—J. R. Mallyon, music-leaf turner.  
No. 23615.—J. R. Mallyon, gate-locking, &c., attachment.  
No. 23647.—J. W. Butterworth, fire-alarm.  
No. 23840.—R. J. Fry, horseshoe-making machine.  
No. 24088.—C. G. P. de Laval, iron-extraction.  
No. 24121.—R. J. Fry, horseshoe-making machine.  
No. 24291.—J. Dempsey, filling breadstuff into oven.  
No. 24318.—D. E. Bigelow, revolving screen.  
No. 24355.—G. Dillberg and A. Gadd, fibre-preserving.  
No. 24517.—R. M. Smith, building-block.

#### Letters Patent on which Fees have been paid.

[NOTE.—The dates are those of the payments.]

#### SECOND-TERM FEES.

- N**O. 18337.—E. Moss, coin-freed letter-stamper, &c. 10th September, 1908.  
No. 18416.—T. Cook, crozing and chiming machine. 5th September, 1908.



- No. 18434.—M. Ryan, gold-saver. 7th September, 1908.  
 No. 18452.—J. Holms, jun., draught-chain-spreader end. 4th September, 1908.  
 No. 18464.—C. E. Bernays, railway-vehicle bogie. 7th September, 1908.  
 No. 18488.—H. J. Gardiner, child-carrying attachment for bicycle. 4th September, 1908.  
 No. 18515.—B. J. Monat, grate, &c., draught-regulator. 11th September, 1908.  
 No. 18522.—J. S. Palmer, account-book. 3rd September, 1908.  
 No. 18529.—P. Campbell, pipe-moulding machine. 2nd September, 1908.  
 No. 18531.—M. Richard and W. Scott, bakers' oven. 1st September, 1908.  
 No. 18548.—E. C. E. Mills, P. Heyes, and W. J. Napier, stamp, &c., vending machine. (R. J. Dickie and J. H. Brown.) 3rd September, 1908.  
 No. 18572.—B. G. A. Harkness, double-acting water-pump. 7th September, 1908.

## THIRD-TERM FEES.

- No. 13984.—W. E. Hughes, refuse-destroyer furnace. (J. J. Meldrum.) 7th September, 1908.  
 No. 13986.—A. D. Carmichael and L. Bradford, desulphurising sulphide ores. 3rd September, 1908.

## Subsequent Proprietors of Letters Patent registered.

[NOTE.—The name of the patentee is given in brackets; the date is that of registration.]

- No. 15481.—Robert Tudehope, of Wellesley Street West, Auckland, in the Dominion of New Zealand, Plumber. Ventilator. (R. Tudehope and B. Crawford.) 9th September, 1908.  
 No. 21616.—Edward John Armstrong, of Palmerston North, New Zealand, Engineer. Means for hanging window-curtains. (A. Kale and C. Gilfillan.) 3rd September, 1908.  
 No. 22295.—Thomas Ramsden Ashworth, of 325 Collins Street, in the City of Melbourne, State of Victoria, Commonwealth of Australia, Architect. Solder-fusing and fountain soldering-machine. (T. W. McDonald.) 3rd September, 1908.  
 No. 22678.—Carl Dahm, of Germany, Inventor. Air-carburettor. (T. Page.) 14th September, 1908.

## Request for Correction of Clerical Errors in Application for Letters Patent.

No. 24195.—W. W. Pearce.—Travelling-trunk (advertised in Supplement to *New Zealand Gazette*, No. 39, of the 14th May, 1908):—

- (1.) On page 3 of specification, alter "4" to "7" and "3" to "6," line 11; alter "3" to "6," line 13; and alter "7" to "4" and "6" to "3," line 16.
- (2.) On page 5, line 16, alter "34" to "34A."
- (3.) On page 5, line 21, alter the word "side" to "ends," and add the words "of side" after "sloping ends."
- (4.) On page 6, line 3 of claim 5, alter "34" to "34A."
- (5.) In figure 4 of drawing, to add the reference number "34A."

## Request to amend Specification allowed.

THE request to amend Specification No. 23338—C. J. Hemery and G. Fitzgerald, regenerating waste or scrap leather (H. Lewis) (advertised in Supplement to *New Zealand Gazette*, No. 61, of the 6th August, 1908)—has been allowed.

## Applications for Letters Patent abandoned.

LIST of applications, with which provisional specifications only have been filed, abandoned (i.e., complete specifications not lodged) from the 1st to the 14th September, 1908, inclusive:—

- No. 23670.—A. C. Watson, swingle-tree-end.  
 No. 23674.—A. Porter, animal-trap.  
 No. 23675.—R. Millar and H. W. Spear, spark-arrester.  
 No. 23678.—W. Haslam, motor-vehicle wheel.  
 No. 23679.—T. W. Sands, vibrating-forks of sheep-shearing machines.  
 No. 23682.—C. W. Gordon, toe-strap for cycles.

- No. 23689.—H. W. Earp-Thomas, indicating time of clearance of letter-box, &c.  
 No. 23690.—C. Bromley, boot or shoe machine.  
 No. 23691.—P. A. Le Marquand, utilising engine-exhaust.  
 No. 23692.—D. Amos, insulating sleeves of electric trolley-pole.  
 No. 23693.—H. Brown, docking and branding iron.  
 No. 23694.—H. L. Finnis, docking-iron.  
 No. 23697.—M. J. T. Rankine Brown, singlet.  
 No. 23701.—A. McCorkindale, screw propeller.  
 No. 23702.—R. J. Kyle, bread-making.  
 No. 23704.—P. Rafferty, electric attachment.  
 No. 23710.—J. Ferguson and G. Wilkinson, fencing-wire carrier.  
 No. 23721.—W. G. Richardson, preparing cattle-food from flax-waste.

## Applications for Letters Patent void.

APPLICATIONS for Letters Patent, with which complete specifications have been lodged, void owing to non-acceptance of such complete specifications, from the 1st to the 14th September, 1908, inclusive:—

- No. 22980.—H. Corbett, food for stock, or manure. (F. J. Corbett.)  
 No. 22982.—W. Biddle, tire-protector.

## Application for Letters Patent lapsed.

APPLICATION for Letters Patent lapsed, owing to Letters Patent not being sealed, from the 1st to the 14th September, 1908, inclusive:—

- No. 22502.—H. W. Downing, stirrup.

## Letters Patent void.

LIST of Letters Patent void through non-payment of renewal fees, and through expiry of term of fourteen years, from the 1st to the 14th September, 1908, inclusive:—

## THROUGH NON-PAYMENT OF SECOND-TERM FEES.

- No. 17989.—T. Gare, wheels.  
 No. 17990.—L. Pearce, sash-fastener.  
 No. 17992.—E. Benjamin, friction gear for motor-cars.  
 No. 17996.—J. Gallagher, fire-alarm.  
 No. 17998.—H. L. Mainland, dredge.  
 No. 18003.—E. F. Black, laundry iron-stand, &c. (C. H. Black and T. G. Haigh.)  
 No. 18006.—G. A. Peters, target.  
 No. 18007.—A. Christie, butter-printer, &c.  
 No. 18009.—H. Aldenhoven and S. Rosengarten, hydraulic ram.  
 No. 18010.—F. Staines, draining-tray.  
 No. 18016.—The British Westinghouse Electric and Manufacturing Company, Limited, brush-holder for electrical machine. (J. P. Campbell—R. Siegfried and C. B. Mills.)  
 No. 18023.—Olds Motor-works, motor vehicle. (N. T. Harrington.)  
 No. 18042.—P. and D. Duncan, Limited, dumping-wagon. (J. Keir.)  
 No. 18962.—G. A. Goodson, galvanising wire, &c.

## THROUGH NON-PAYMENT OF THIRD-TERM FEES.

- No. 13692.—R. Stevens, milk cooler and aerator.  
 No. 13693.—F. L. Lorden, tobacco-cutter.  
 No. 13717.—J. C. Bowring, grate-bar for furnace.  
 No. 14436.—E. C. Newcomb and P. van Volkenburgh, steam-generator.

## THROUGH EXPIRY OF TERM.

Nil.

## Designs expired.

THE copyright in the following designs has expired:—

- No. 192.—H. T. Harding and A. F. Billing, Auckland, New Zealand. (Letter-card.)  
 No. 193.—J. Tait, Wellington, New Zealand. (Calendar.)

## Applications for Registration of Trade Marks.

Patent Office,  
Wellington, 16th September, 1908.

**A** PPLICATIONS for registration of the following Trade Marks have been received. Notice of opposition to the registration of any of these applications may be lodged at this office within two months of the date of this Gazette. Such notice must be in duplicate, and accompanied by a fee of £1.

No. of application : 6873.

Date : 15th August, 1907.



The essential particular of the trade mark is the device; and any right to the exclusive use of the added matter is disclaimed.

## NAME.

BUCHANAN FOSTER COMPANY, of West End Trust Building, Chestnut Street, Philadelphia, Pennsylvania, United States of America, Manufacturers.

No. of class : 17.

Description of goods : Damp-course.

No. of application : 7300.

Date : 5th May, 1908.

TRADE MARK.

The word

**"GANDY."**

The applicants claim that the said trade mark has been used by them and their predecessors in business in respect of the articles mentioned for upwards of twenty-nine years prior to the date of this application.

## NAME.

THE GANDY BELT MANUFACTURING COMPANY, LIMITED, of Wheatland Works, Wheatland Lane, Seacombe, Cheshire, England, Manufacturers.

No. of class : 25.

Description of goods : Machine-belting included in this class.

No. of application : 7312.

Date : 11th May, 1908.



The essential particulars of this trade mark are the word "Palm" and the device; and any right to the exclusive use of the word "Brand" is disclaimed.

## NAME.

FIELD AND Co., Fruit Merchants, Limited, of 10 Monument Street, London, E.C., England.

No. of class : 42.

Description of goods : All substances used as food or as ingredients in food, except tea, coffee, butter, cheese, and preservatives, or articles of the same description as tea, coffee, butter, cheese, and preservatives.

No. of application : 7401.

Date : 24th June, 1908.



The essential particular of the trade mark is as follows—the combination of devices; and any right to the exclusive use of the added matter is disclaimed.

## NAME.

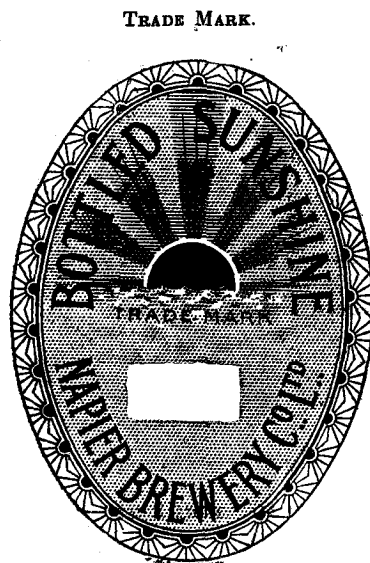
McCONNELL'S DISTILLERY, LIMITED, of Stromness Distillery, Stromness, Orkney, Scotland, and Daore House, Arundel Street, Strand, in the County of London, England, Distillers.

No. of class : 45.

Description of goods : Whisky.

No. of application : 7431.

Date : 11th July, 1908.



The essential particulars of this trade mark are the device and the word "Sunshine"; and applicants disclaim any right to the exclusive use of the added matter, except their name.

## NAME.

THE NAPIER BREWERY COMPANY, LIMITED, of Napier, in the Dominion of New Zealand, Brewers and Bottlers.

No. of class : 43.

Description of goods : Ale, stout, and the like.

No. of application : 7476.  
Date : 30th July, 1908.

TRADE MARK.



NAME.

WILLIAM HENRY BARTLETT, of Queen Street, Auckland, in the Dominion of New Zealand, Photographer.

No. of class : 39.  
Description of goods : Photographs and photographic paper.

No. of application : 7478.  
Date : 30th July, 1908.

TRADE MARK.

The word  
"MEZZOTONE."

NAME.

WILLIAM HENRY BARTLETT, of Queen Street, Auckland, in the Dominion of New Zealand, Photographer.

No. of class : 39.  
Description of goods : Photographs and photographic paper.

No. of application : 7514.  
Date : 17th August, 1908.

TRADE MARK.



The essential particulars of this trade mark are the device and the word "Lion"; and applicants disclaim any right to the exclusive use of the added matter, except their name.

NAME.

THE GREAT NORTHERN BREWERY, LIMITED, carrying on business in the City of Auckland, in the Dominion of New Zealand, as Brewers and Bottlers, and having its registered office in Khyber Pass Road, in the Epsom Road District, near the said City of Auckland.

No. of class : 15.  
Description of goods : Glass, in respect of bottles.

No. of application : 7515.  
Date : 17th August, 1908.

TRADE MARK.

(The mark as shown in preceding notice, No. 7514.)

The essential particulars of this trade mark are the device and the word "Lion"; and applicants disclaim any right to the exclusive use of the added matter, except their name.

NAME.

THE GREAT NORTHERN BREWERY, LIMITED, carrying on business in the City of Auckland, in the Dominion of New Zealand, as Brewers and Bottlers, and having its registered office in Khyber Pass Road, in the Epsom Road District, near the said City of Auckland.

No. of class : 42.  
Description of goods : Cordials, including lemon-squash, limejuice, peppermint, cloves, and raspberry.

No. of application : 7530.  
Date : 25th August, 1908.

TRADE MARK.



The essential particulars of this trade mark are the word "Zanda" and the general device; and any right to the exclusive use of the added matter is disclaimed.

NAME.

HUGHES AND COSSAR, Auckland and Wellington, in the Dominion of New Zealand.

No. of class : 42.  
Description of goods : Tea.

No. of application : 7531.  
Date : 25th August, 1908.

TRADE MARK.



## NAME.

E. SHEP DIXON, of Fitzherbert Street, Palmerston North, in the Dominion of New Zealand.

No. of class: 15.

Description of goods: Glass bottles.

No. of application: 7532.

Date: 26th August, 1908.

## TRADE MARK.

The words

“HIGHLAND CREAM.”

## NAME.

WM. TEACHER AND SONS, of 14 St. Enoch Square, Glasgow, Scotland, Wine and Spirit Merchants.

No. of class: 43.

Description of goods: Whisky.

No. of application: 7533.

Date: 26th August, 1908.

## TRADE MARK.



## NAME.

JOSEPH SANKEY AND SONS, LIMITED, of Albert Street Works, Bilston, in the County of Stafford, England, Manufacturers.

No. of class: 13.

Description of goods: Wrought hollow-ware, tin japan and galvanised ware, embossed sheet-metal ware, and sheet-metal goods generally.

No. of application: 7534.

Date: 26th August, 1908.

## TRADE MARK.



## NAME.

JOSEPH SANKEY AND SONS, LIMITED, of Albert Street Works, Bilston, in the County of Stafford, England, Manufacturers.

No. of class: 13.

Description of goods: Wrought hollow-ware, tin japan and galvanised ware, embossed sheet-metal ware, and sheet-metal goods generally.

No. of application: 7535.

Date: 26th August, 1908.

## TRADE MARK.



## NAME.

JOSEPH SANKEY AND SONS, LIMITED, of Albert Street Works, Bilston, in the County of Stafford, England, Manufacturers.

No. of class: 13.

Description of goods: Wrought hollow-ware, tin japan and galvanised ware, embossed sheet-metal ware, and sheet-metal goods generally.

No. of application: 7538.

Date: 28th August, 1908.

## TRADE MARK.



The essential particulars of this trade mark are the word and device "Beacon"; and any right to the exclusive use of the added matter is disclaimed.

## NAME.

J. B. MACEWAN AND CO., LIMITED, of Routh's Buildings, Johnston and Featherston Streets, Wellington, in the Dominion of New Zealand.

No. of class: 42.

Description of goods: Butter.

No. of application : 7539.  
Date : 29th August, 1908.

The word  
**TRADE MARK.**  
"KUSH."

**NAME.**  
ARTHUR HARRY WRIGHT, of Dunedin, in the Dominion of New Zealand, Agent.

No. of class : 49.  
Description of goods : Games of all kinds and sporting articles not included in other classes.

No. of application : 7541.  
Date : 1st September, 1908.

**TRADE MARK.**  
**SNERCOLD**

**NAME.**  
THE SAFETY NON-EXPLOSIVE RESERVOIR COMPANY, LIMITED, formerly having registered offices at No. 4 Suffolk Street, Pall Mall East, in the County of London, but now having registered offices at 62 Frith Street, Soho, in the said County of London, England, Manufacturers and Merchants.

No. of class : 13.  
Description of goods : Vessels included in this class for containing inflammable liquids, and safety non-explosive devices to be fitted to such vessels, the said devices being made of ordinary metal and not included in other classes.

No. of application : 7542.  
Date : 1st September, 1908.



The essential particulars of this trade mark are the distinctive device and the word "Brighteye"; and applicants disclaim any right to the exclusive use of the added matter, except their name.

**NAME.**  
BAGLEY AND WRIGHT, LIMITED, of Manchester, England, Sewing-cotton Manufacturers.

No. of class : 23.  
Description of goods : Crochet, knitting, and embroidery cotton yarns.

No. of application : 7543.  
Date : 1st September, 1908.



**NAME.**  
JOHN DEWHURST AND SONS, LIMITED, of Skipton, Yorkshire, England.

No. of class : 23.  
Description of goods : Cotton yarns, sewing-cotton, crochet and embroidery cottons, and knitting-cotton.

No. of application : 7545.  
Date : 1st September, 1908.

**TRADE MARK.**  
**MARVELO**

**NAME.**  
THE MURALO COMPANY, of New Brighton, Staten Island, Borough and County of Richmond, City and State of New York, United States of America, Manufacturers.

No. of class : 1.  
Description of goods : Oil paints, varnishes, and enamels.

No. of application : 7546.  
Date : 2nd September, 1908.



The essential particulars of this trade mark are—(1) the words "White Bear," (2) the device; and any right to the exclusive use of the added matter is disclaimed.

**NAME.**  
JOHN BRAADLAND, of 33, 35, 37, and 39 Nedre Strandgade Stavanger, Norway, Fish Packer and Merchant.

No. of class : 42.  
Description of goods : Norwegian smoked sardines packed in oil.

No. of application : 7548.  
Date : 2nd September, 1908.

The word  
**TRADE MARK.**  
"KOFF-OH."

NAME.  
JAMES DAGLISH, of Mosgiel, in the Dominion of New Zealand, Commercial Traveller.

No. of class : 3.  
Description of goods : Chemical substances prepared for use in medicine and pharmacy.

J. C. LEWIS,  
Registrar.

#### Trade Marks registered.

LIST of Trade Marks registered from the 1st to the 14th September, 1908, inclusive:—

- No. 5806/7045.—Bennett and Wood, Limited. Class 22. (*Gazette* No. 2, of the 9th January, 1908.)  
No. 5807/7046.—Bennett and Wood, Limited. Class 40. (*Gazette* No. 2, of the 9th January, 1908.)  
No. 5808/7047.—Bennett and Wood, Limited. Class 40. (*Gazette* No. 2, of the 9th January, 1908.)  
No. 5809/7366.—Colombo Commercial Company, Limited. Class 42. (*Gazette* No. 49, of the 25th June, 1908.)  
No. 5810/7358.—Warnock Bros. Class 47. (*Gazette* No. 46, of the 11th June, 1908.)  
No. 5811/7367.—W. Brice and Son. Class 48. (*Gazette* No. 49, of the 25th June, 1908.)  
No. 5812/7368.—W. Brice and Son. Class 48. (*Gazette* No. 49, of the 25th June, 1908.)  
No. 5813/7369.—W. Brice and Son. Class 48. (*Gazette* No. 49, of the 25th June, 1908.)  
No. 5814/7370.—W. Brice and Son. Class 48. (*Gazette* No. 49, of the 25th June, 1908.)  
No. 5815/7319.—Hoare and Co. Class 38. (*Gazette* No. 43, of the 28th May, 1908.)  
No. 5816/7316.—R. and J. Dick, Limited. Class 40. (*Gazette* No. 43, of the 28th May, 1908.)  
No. 5817/7323.—Erith Oil Works, Limited. Class 42. (*Gazette* No. 43, of the 28th May, 1908.)  
No. 5818/7324.—Erith Oil Works, Limited. Class 42. (*Gazette* No. 43, of the 28th May, 1908.)  
No. 5819/7372.—T. White. Class 3. (*Gazette* No. 49, of the 25th June, 1908.)  
No. 5820/7377.—T. White. Class 42. (*Gazette* No. 49, of the 25th June, 1908.)  
No. 5821/6862.—Davies and Lamb. Class 45. (*Gazette* No. 75, of the 22nd August, 1908.)  
No. 5822/7341.—North British Rubber Company, Limited. Class 40. (*Gazette* No. 49, of the 25th June, 1908.)  
No. 5823/7342.—Neill and Co., Limited. Class 42. (*Gazette* No. 46, of the 11th June, 1908.)  
No. 5824/7376.—North British Rubber Company, Limited. Class 38. (*Gazette* No. 49, of the 25th June, 1908.)  
No. 5825/7210.—The Surburg Company. Class 45. (*Gazette* No. 21, of the 19th March, 1908.)

#### Subsequent Proprietor of Trade Mark registered.

[NOTE.—The name of the former proprietor is given in brackets; the date is that of registration.]

NOs. 87/950 (three marks), 1779/1419, and 3237/2548.—Lsc. Pommery Fils and Cie, of Reims, in France, Champagne-wine Shippers. (Veuve Pommery Fils and Cie.) 4th September, 1908.

#### Trade Mark Renewal Fees paid.

FEES paid for the renewal of the undermentioned Trade Marks for fourteen years from the date first mentioned:—

- No. 1221/968.—3rd September, 1908.—Curtis and Co., of Lyttelton, New Zealand. 2nd September, 1908.  
No. 1229/1022 and 1230/1021.—6th September, 1908.—W. G. Nixey, of London, England. 7th September, 1908.  
No. 1255/971.—17th September, 1908.—N. Greening and Sons, Limited, of Warrington, England. 10th September, 1908.

#### Trade Marks removed from the Register.

TRADE Marks removed from the Register owing to the non-payment of the renewal fee, from the 1st to the 15th September, 1908, inclusive:—

- No. 1141/1091.—1st June, 1894.—McGill Bros., of Invercargill, New Zealand. Class 47.  
No. 1150/914.—11th June, 1894.—P. Virtus, of Christchurch, New Zealand. Class 37.  
No. 1151/925.—13th June, 1894.—E. W. Gillett, of Toronto, Canada. Class 42.  
No. 1154/905.—14th June, 1894.—B. Birnbaum and Sons, Limited, of Wellington, New Zealand. Class 38.

#### Advertisements.

ADVERTISEMENTS are charged at the rate of 6d. per line for the first insertion, and 3d. per line for the second and any subsequent insertion.

All advertisements should be written on one side of the paper, and signatures, &c., should be written in a legible hand.

The number of insertions required must be written across the face of the advertisement.

Communications should be addressed to the Government Printer, Wellington, to whom post-office money-orders should be made payable. Cheques should be crossed "Public a/c," and exchange added.

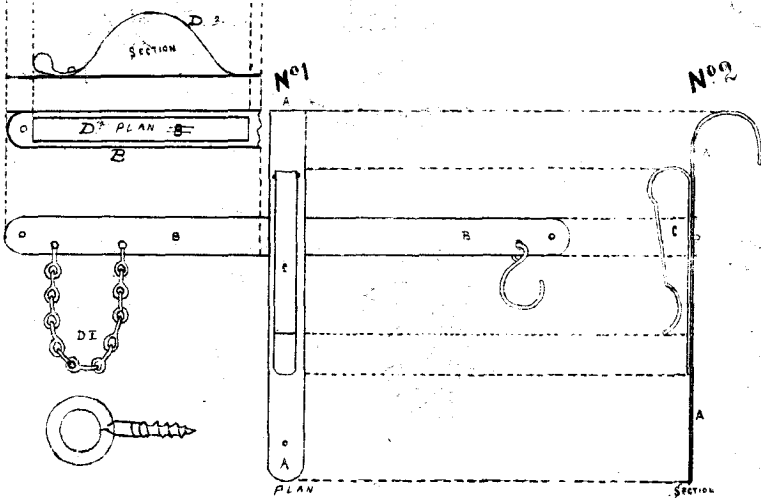
Postage or duty stamps cannot be received in payment from any place at which postal notes or post-office orders are issued.

Prepayment may be demanded in any case. In order to prevent delay in publication a sufficient remittance should accompany every advertisement. Any surplus will be returned with receipted account.

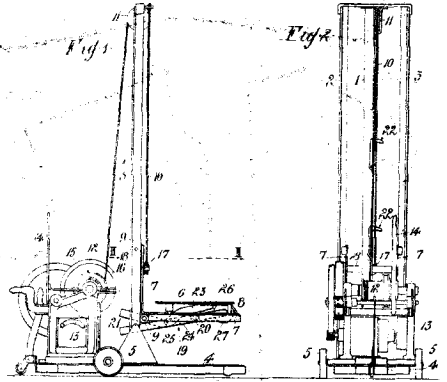
By Authority: JOHN MACKAY, Government Printer, Wellington.

# ILLUSTRATIONS OF INVENTIONS.

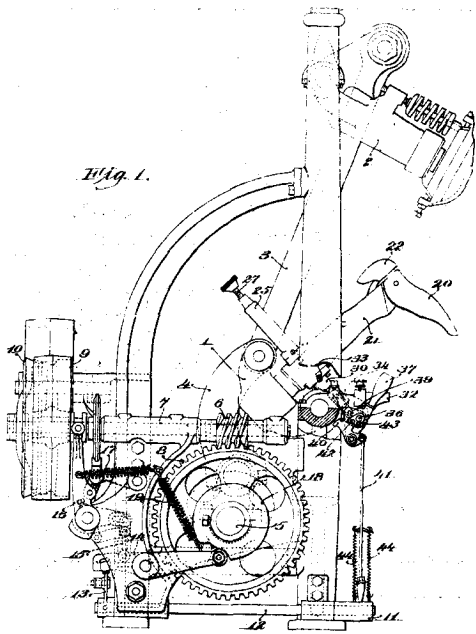
[These illustrations refer to the complete specifications accepted, and advertised in this *Gazette*.]



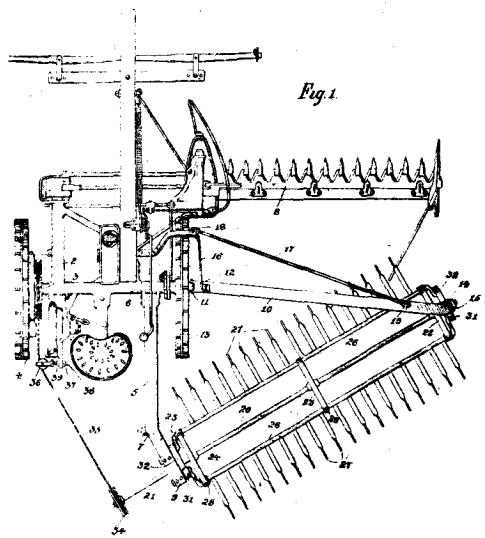
23497  
Athens Umbrella, Hat, and Book Rack.



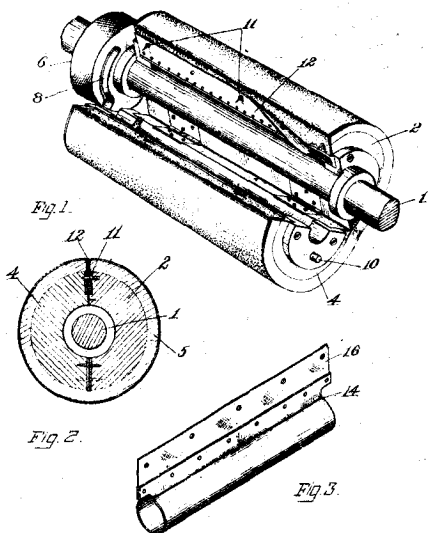
23667  
Hughes Hoist and Stacker.



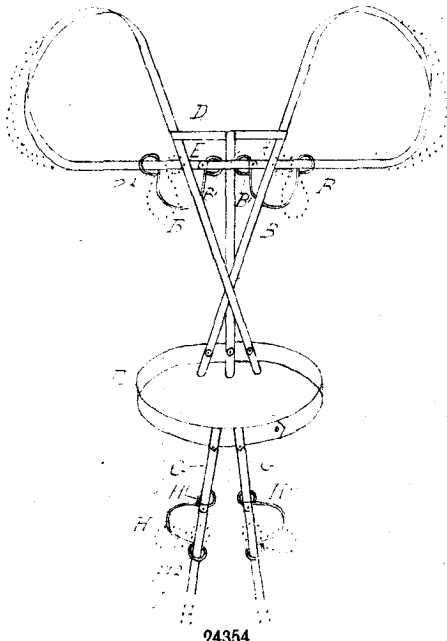
23716  
United Shoe Machinery Company. Shoe-machine Jack. (Pride.)



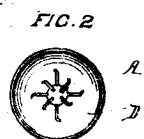
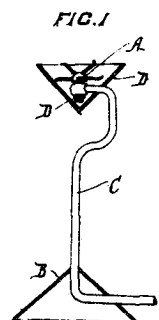
24739  
Bingham. Mowing-machine Tedder.



23714  
United Shoe Machinery Company. Abrading-device. Scott.

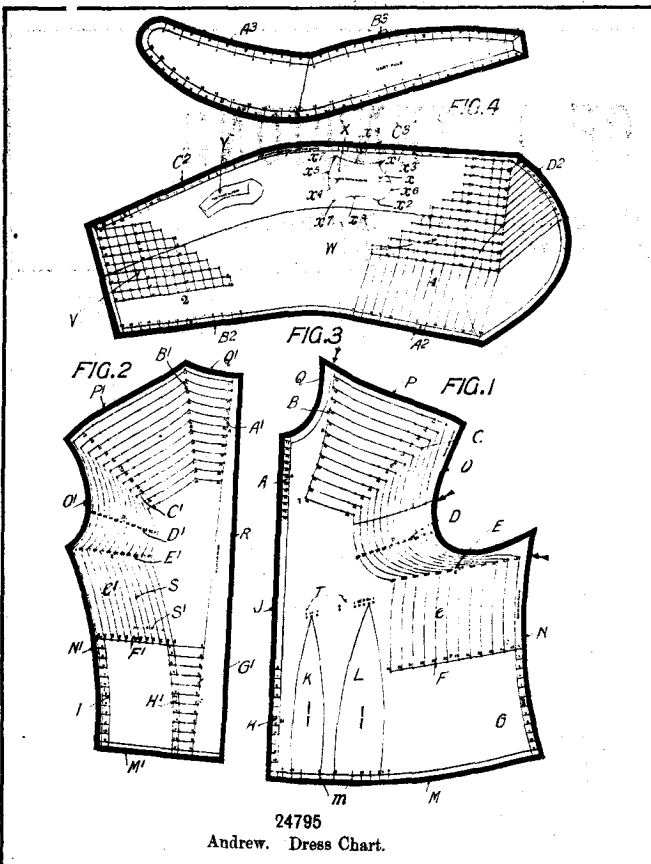


24354  
Nesbitt. Braces and Suspenders.

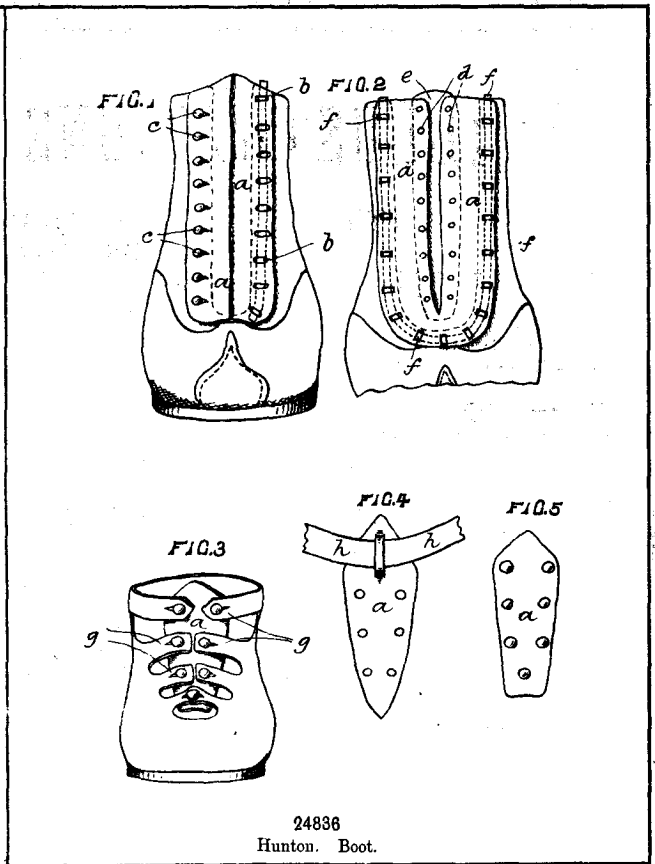


23768  
Munn. Water-sprayer.

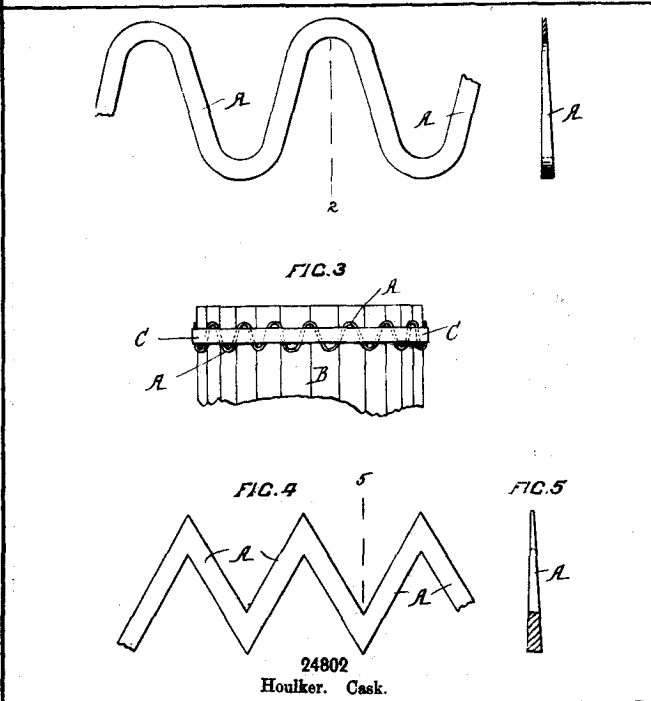




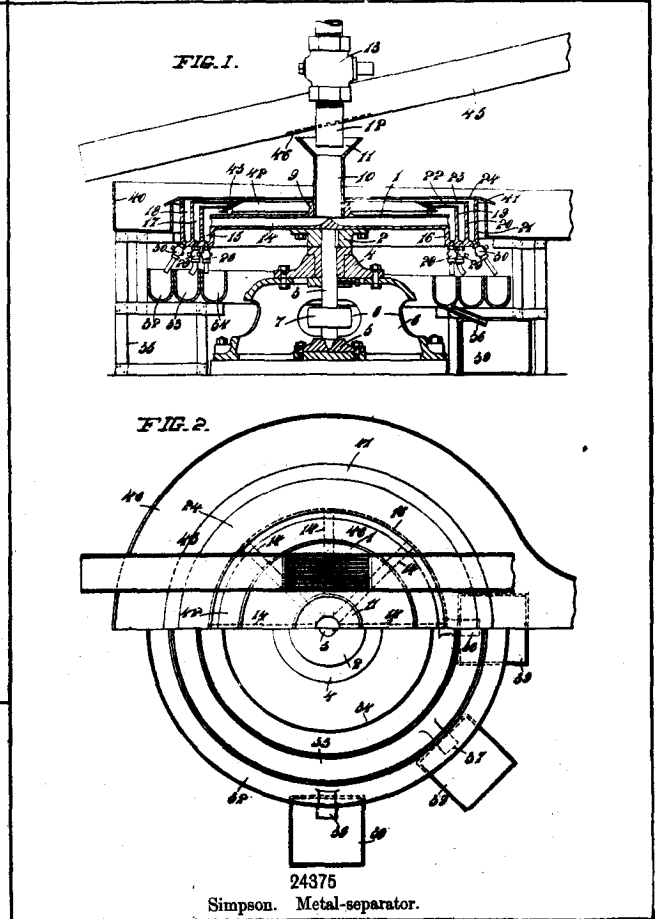
24795  
Andrew. Dress Chart.



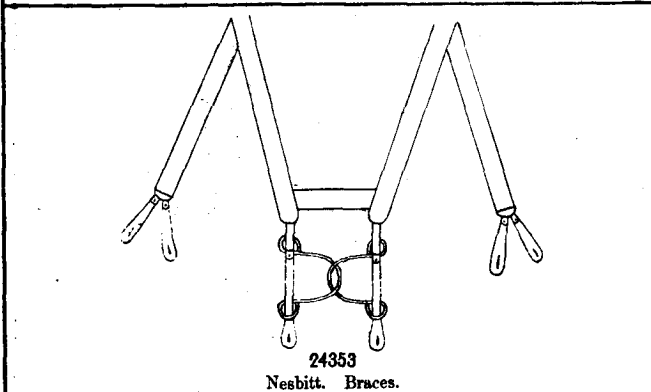
24836  
Hunton. Boot.



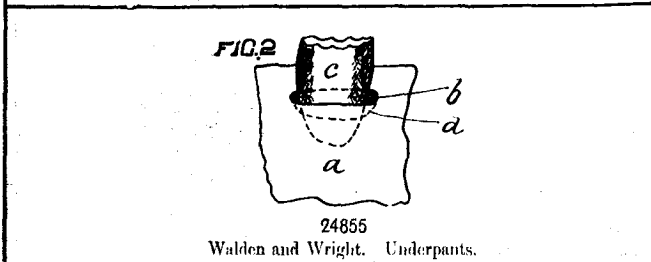
24802  
Houliker. Cask.



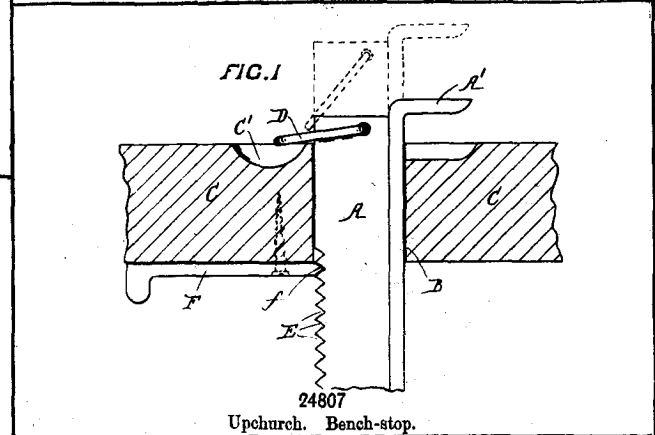
24375  
Simpson. Metal-separator.



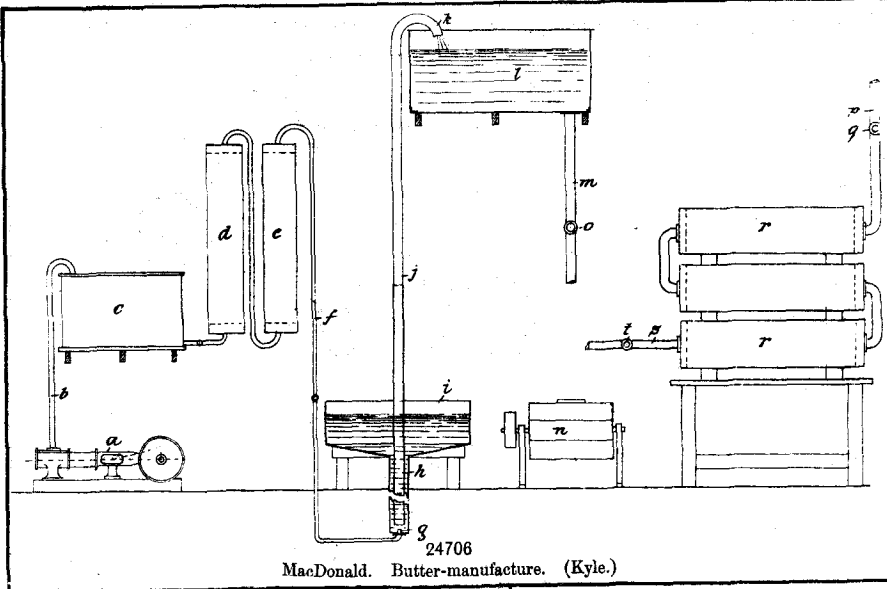
24353  
Nesbitt. Braces.



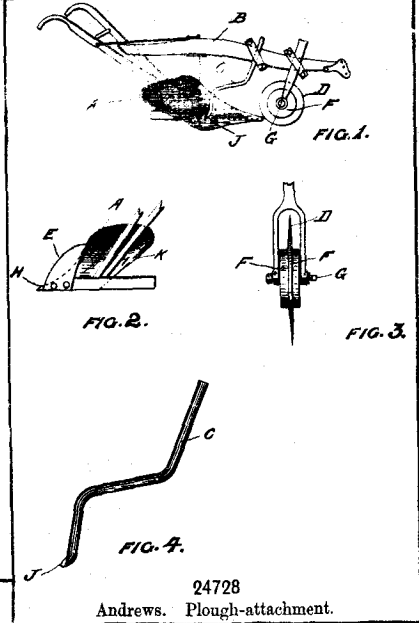
24855  
Walden and Wright. Underpants.



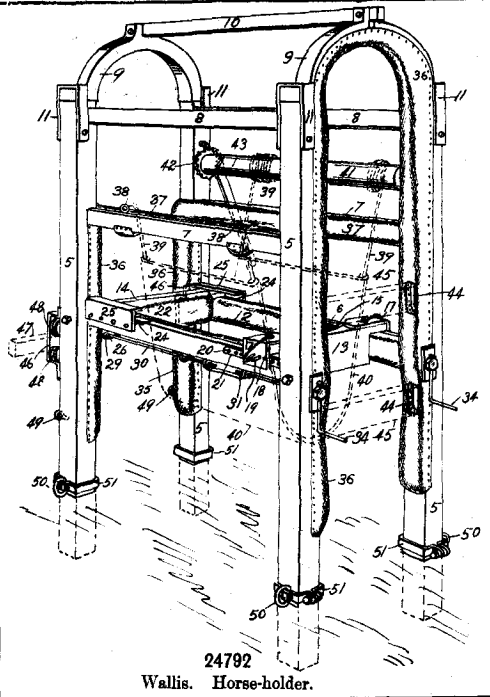
24807  
Upchurch. Bench-stop.



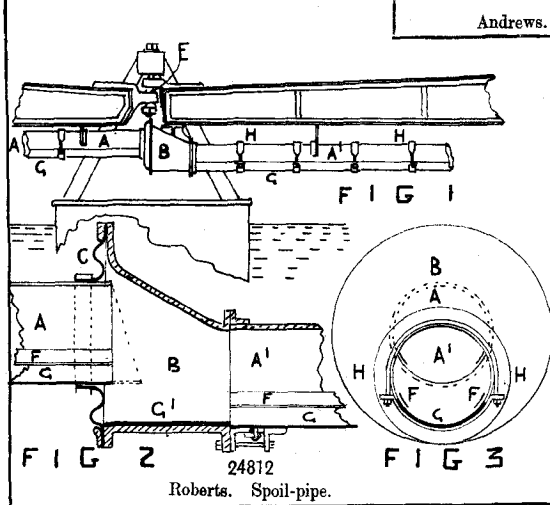
MacDonald. Butter-manufacture. (Kyle.)



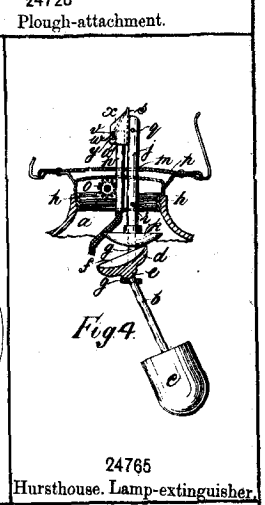
Andrews. Plough-attachment.



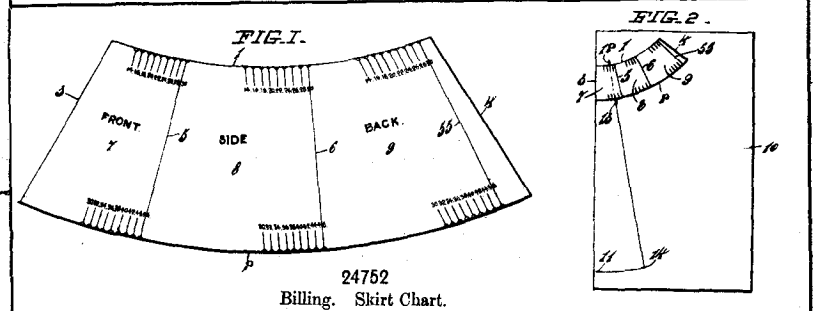
Wallis. Horse-holder.



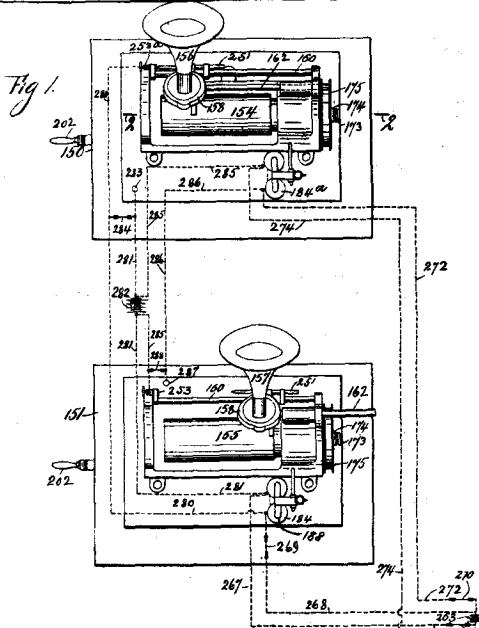
Roberts. Spoil-pipe.



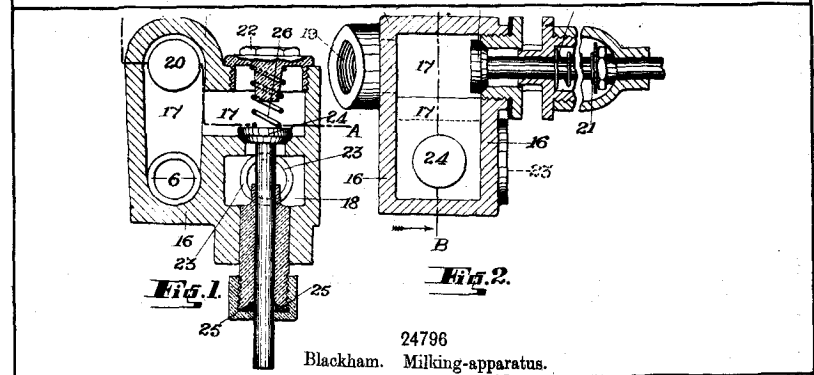
Hurthouse. Lamp-extinguisher.



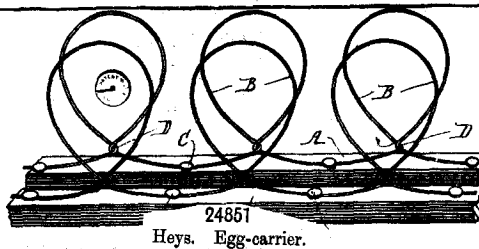
Billing. Skirt Chart.



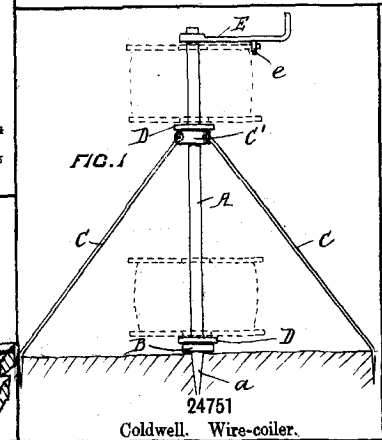
Whitman. Talking-machine. (Norton.)



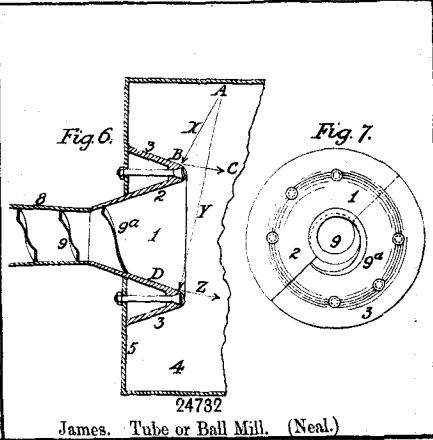
Blackham. Milking-apparatus.



Heys. Egg-carrier.



Coldwell. Wire-coiler.



James. Tube or Ball Mill. (Neal.)

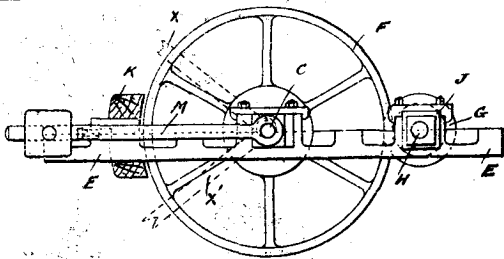


FIG. 1.  
FIG. 3.

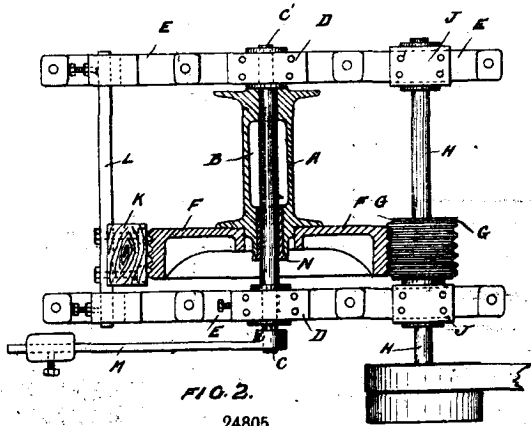


FIG. 2.  
24805  
Beaney. Friction Hoist.

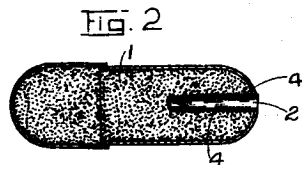
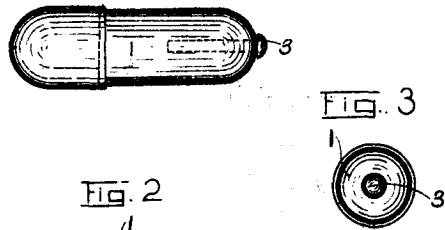


FIG. 4

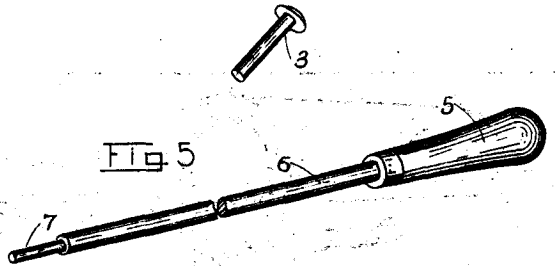


FIG. 5  
24754  
Guinan. Horse-doser.

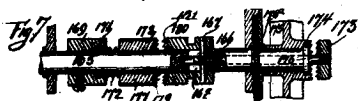
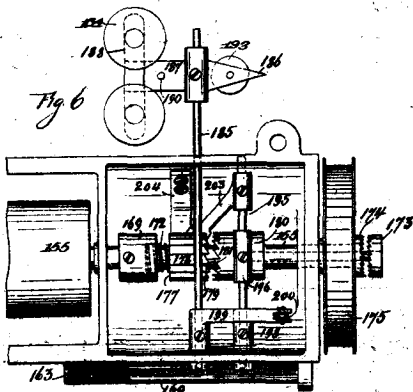
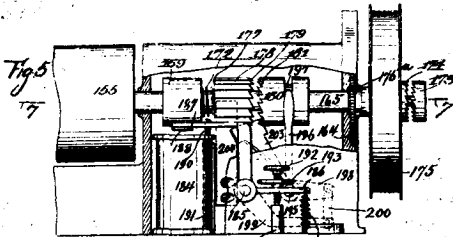
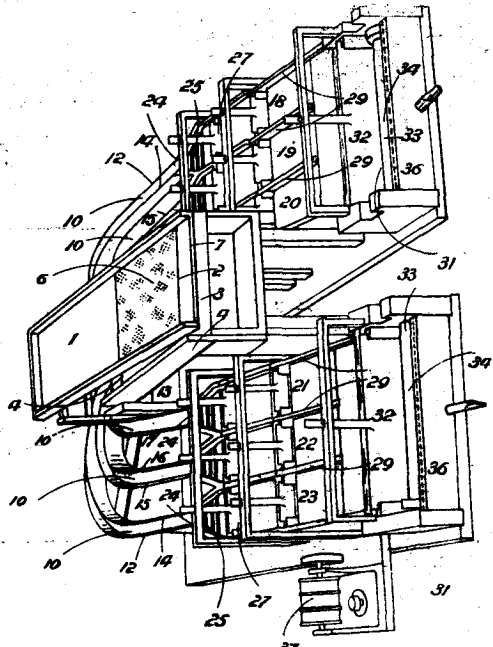


FIG. 7  
24722  
Whitman. Clutch. (Norton.)



24718  
Breck. Gold-saving Apparatus.

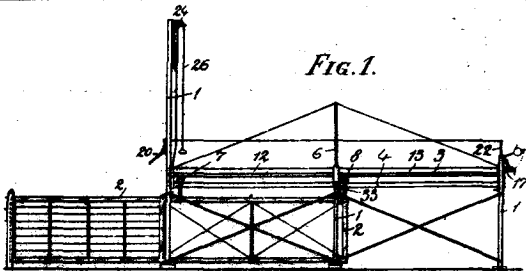


FIG. 1.  
24767  
Zerbino. Gate-lock.

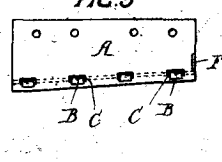
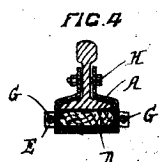
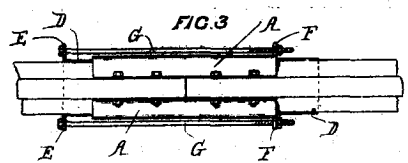
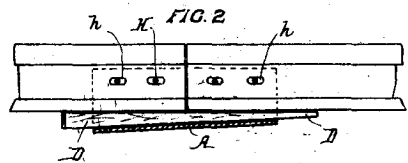


FIG. 4  
FIG. 5  
24824  
Hewson. Rail-joint.



FIG. 2  
24790  
Sloman. Breeching-strap.